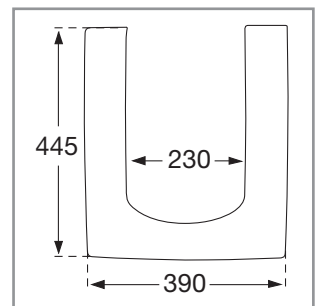


Bidet seat La Belle

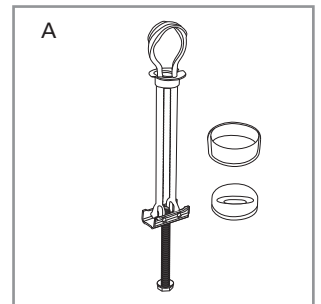
Model 9M14 00 La Belle bidet seat with adjustable hinge in plastic

Product Description La Belle bidet seat made of colour ingrained duroplast with hinge in plastic
 – incl. adjustable hinge in plastic
 – load of ring seat: 240 kg
 – 10 year guarantee



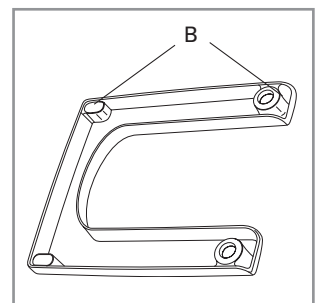
Colour Programme R1 White (Alpin)
 R2 StarWhite

Hinge Finish 00 Plastic



Spare Parts A) 9M14 01 61 Adjustable hinge for bidet
 B) 9222 30 00 Buffers for seat

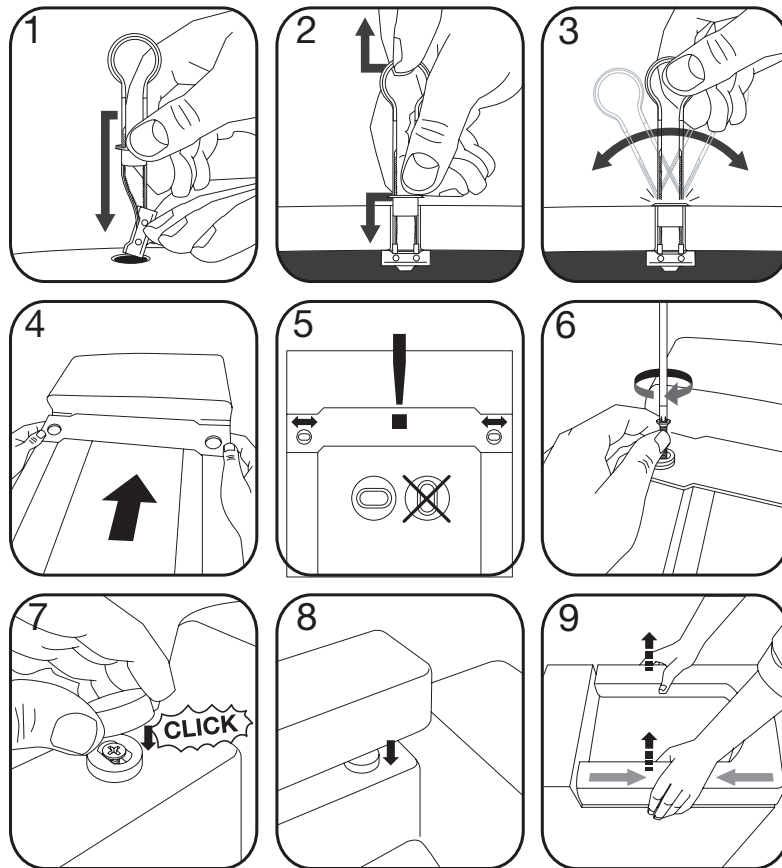
Cleaning Instructions Use a mild soap solution. Seat and hinge should not be left damp, but be dried with a soft cloth. When using abrasive, corrosive or chlorine based cleaners for the bowl, avoid contact with seat and hinge as it may lead to damages or flash rust. Therefore, when cleaning the bowl, make sure that seat is in an upright position until all the cleaner has been flushed away



Bidet seat La Belle

Instruction manual

9M14 01 61



09/09

Material Description

BIDET SEAT: The material is colour ingrained duroplast (UF A 10 = urea formaldehyde) that contains no environmentally hazardous substances. UF plastic comprises 67% urea formaldehyde resin, 28% cellulose, as well as 5% minerals, pigments, lubricants and moisture content. The raw material from the supplier contains less than 0,03% formaldehyde after a special curing process.

BUFFERS: EVA (copolymer made of ethylene and vinyl acetate)

MOUNT/HINGE: Plastic

Guarantee

The guarantee includes faults or defects in the material of our products within a periode of 10 years. Products subject to minor technical modifications and design deviations E. & O.E.