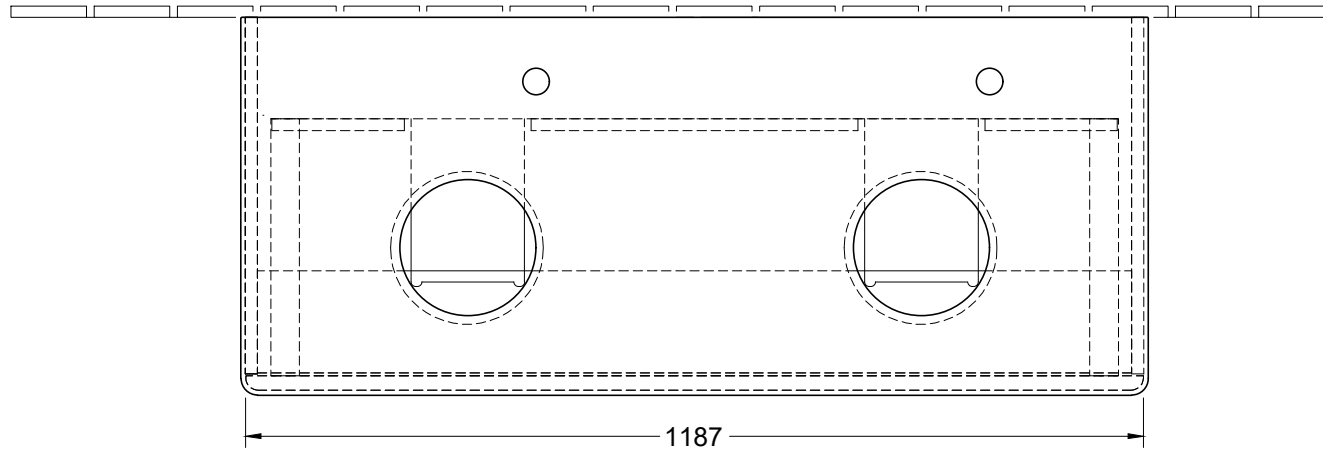



⚡  $\frac{N \perp L}{\text{ooo}}$  220 - 240V



Artikel	A1
4A72 40	620
4A73 51	620
4179 43	640
4178 41	640
4A18 40	590
4A19 56	590
4A21 38	590
4A20 56	590
4A45 00/01	580
4A46 00/01	580
4A47 00/01	580
4A49 00/01	580

Antao K13ZUYXX / L13ZUYXX		 <b>Villeroy &amp; Boch</b> 1748
V01 / 13.02.2023	1:10	