

Installation instructions



Intelligent toilet
ViClean-IR

Publishing Information

2 Publishing Information

Villeroy & Boch Trading (Shanghai)

Co., Ltd.

10/F, No.8, Lane 555, Gu Bei Road,

Chang Ning District

200051 Shanghai

China

Tel: +86 21 - 62363281

www.villeroy-boch.cn

Downloading and use of images from our pages is not permitted without the written permission of Villeroy & Boch Trading (Shanghai) Co., Ltd.

Board

Looi Lee Choo Jenny

Doru Lorint

Zhang Yanlin

Supervisor Board

Andreas Josef Pfeiffer

Register Number

310000400465329

Tax Registration Number

310105787241384

Copyright

Villeroy & Boch Trading (Shanghai) Co., Ltd.

Liability

The content of our pages has been prepared with great care. However, we cannot accept responsibility for the correctness, completeness and up-to-date status of the content. Villeroy & Boch Trading Shanghai Co.,Ltd. is responsible for its own content, which it makes available for use in accordance with the general legal statutes. This content of its own is to be differentiated from the content provided by other service providers using cross-references ("links"). If we become aware that the linked contents would trigger civil or criminal responsibility, we will delete these links.

Contents

Contents

1	Title page.....	1
2	Publishing Information.....	2
3	General Data.....	4
3.1	Conventions used.....	4
3.2	Target groups.....	4
3.3	Warranty.....	5
4	Safety.....	6
4.1	Intended use.....	6
4.2	Reasonably predictable misuse.....	7
4.3	General safety instructions.....	8
5	Product Technical Specification.....	9
5.1	Dimensions of the toilet.....	10
6	Delivery contents.....	11
6.1	Standard delivery contents.....	11
7	Installation.....	15
7.1	Prior to installation.....	15
7.2	Installation tools.....	16
7.3	Install preparations.....	16
7.4	Installing the remote controller.....	17
7.5	Installing the toilet.....	22
7.6	Preparation and test prior of use.....	28
8	Decommissioning.....	29

General Data

3 General Data

Please follow the instructions in this manual carefully. Please keep the manual properly stored for future reference. Regarding future product updates, the product is subject to change without prior notice. Illustrations in this manual serve as visual demonstration.

3.1 Conventions used

Action instructions

Steps to be carried out are shown as a numbered list. The sequence of the steps must be complied with.

Example:

1. Action step
2. Action step

The results of an action instruction are shown as follows:

- ▶ Arrow
- ▶ Arrow

Lists

Lists without a fixed chronological sequence are shown as sets of bullet points.

Example:

- Item 1
- Item 2

3.2 Target groups

The target groups of these operating instructions are installers and operators.

Installers:

- e.g. trained craftsmen and artisans. Under authorisation by the operator, these persons carry out work for which they have the necessary expertise, gained from a professional education or comparable practical training, in order to be able to carry out the work which is encountered in an expert and appropriate manner with regard to safety and risk. Their work is governed by the instruction, checking and responsibility of trained supervisory/expert personnel appointed by the operator.

Electricians:

- These experts are, on account of their technical training, knowledge and experience, as well as their knowledge of the applicable standards and stipulations, capable of carrying out work on electrical installations and of detecting and avoiding possible dangers independently. The electricians are trained specially for the site where they are active, and they are familiar with the relevant standards and stipulations.

General Data

3.3 Warranty

This electronic integrated shower toilet has been designed and manufactured with great care and attention to detail. It is an illustration of quality, beauty and longevity. We give our word on that and 24 months warranty.

In the following cases the warranty does not apply:

- Damage or loss sustained in fire, earthquake, flood, thunder, or other act of providence, pollution, gas damage (hydrogen sulfide gas), salt damage and abnormal voltage.
- Damage or loss resulting from any installation against the installation manual, any unreasonable use, misuse, abuse, negligence against the cautionary statements of owner's manual and label on the product, or improper maintenance of the product against the user manual.
- Damage or loss resulting from modification, disassembly and destruction of the product.
- Damage or loss resulting from water stain retention, sediments or foreign matter contained in a water system.
- Damage or loss resulting from the quality of water in the region where the product is used.
- Damage or loss resulting from relocation after installment, improper installation or hazardous environment.
- Damage or loss resulting from defect other than product such as change in shape of building frame.
- Damage or loss resulting from bite by animals or insects such as mouse, or residual of dead animals or insects.
- Damage or loss resulting from freeze of product.
- Damage or loss resulting from undesignated power supply (voltage, frequency) and electromagnetic wave generated in outside of product such as power lines and peripheral device.
- Damage or loss resulting from consumption of battery, etc.
- Damage or loss resulting from abrasion of daily maintenance points (water drain valve, filter, O-ring, packing, etc.)

Safety

4 Safety

4.1 Intended use

ViClean must be used exclusively with fresh water. Dirt particles in the water can block the filter, hoses and the nozzles.

This device is an electric appliance of class I and must be connected to a grounding system.

The device is an electrical apparatus and thus shall not be used in a wet or humid environment. If the device is used in a bathroom, an exhaust fan or air vent shall be installed to ensure sufficient airflow.

Intended use also includes:

- compliance with all instructions in the installation instructions
- compliance with the inspection and maintenance tasks
- exclusive use of original parts

The device is not intended for use by individuals (including children) with reduced physical, sensory or mental capabilities, or lack of experience and knowledge, unless they have been given supervision. The device shall only be used under the supervision and direction of an adult responsible for safety. Please ensure that children do not use the device without supervision or play with the device.

Safety



Advice!

- Severe bending or twisting of the water supply hose is strictly prohibited; otherwise it can lead to water leakage.
- The new hose -sets supplied with the appliance are to be used. Do not use old hose -sets.
- Do not use radio equipment near the product to avoid disturbances.
- Do not place the product upside down to avoid damage to the product.
- Do not spill water over the remote controller, otherwise the product may not function properly.
- Do not place heavy weight or step on the upper cover or seat to avoid injury due to damaged product.
- Do not lean on the toilet cover while using it or it may damage the cover. Do not sprinkle urine on the body or spray nozzle.
- Do not hit the display screens with force or other objects using the remote controller, otherwise it will cause damage to the LCD display or leakage of liquid crystals.
- Do not modify the remote controller, or it will cause damage, electric leakage and circuit fault of the remote controller.
- Do not scratch the display screen and keys using sharp objects such as needles and pen points.
- The remote controller should not be exposed to the extreme conditions such as high temperature on the surface or direct sunlight.
- Do not heat the remote controller or throw it into the fire, otherwise it could cause an explosion.
- If the power supply cord is damaged, it must be replaced by the manufacturer, its service agent or similar qualified persons in order to avoid hazard.
- Do not use other adapters besides the adapter supplied with the appliance to charge the remote controller.

4.2 Reasonably predictable misuse

Any use other than those listed under "intended use", or use which goes beyond this, is considered to be non-intended.

For damage arising from non-intended use, the operator himself is exclusively responsible, and the manufacturer does not accept any liability whatsoever.

Safety

4.3 General safety instructions



Warning!

Electrocution from touching live components!

Severe injury and even death can be the consequences.

For a mains model, the mains connection must be made exclusively by electricians.

Do not insert or pull out the mains plug with wet hands.

When carrying out work, make sure that the power lead is disconnected from the mains and secured against reconnection.



Caution!

Danger to the environment from incorrect handling of environmentally hazardous materials.

Considerable damage to the environment can be caused by incorrect handling of environmentally hazardous materials, especially incorrect disposal.

Recycle electronic equipment, or dispose of properly. Do not dispose of electronic equipment in the household waste.

Observe the local regulations.



Warning!

Electrocution from touching live components!

Severe injury and even death can be the consequences.

The power plug shall be plugged in the grounded outlet, otherwise it is possible to cause electric shock if power failure or earth leakage occurs.

Please use 220 V alternating current, otherwise product failure might occur.

Product Technical Specification

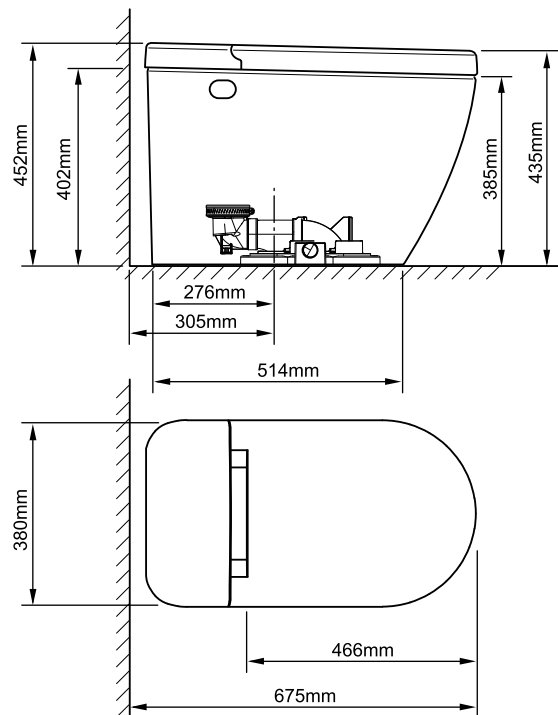
5 Product Technical Specification

Category		Description
Model		ViClean-IR
Rated voltage		220 V~ , 50 Hz
Rated Power		960 W (water temperature 15±5°C, Flow rate 500mL/min)
Maximum instantaneous power		1720W
Power line		1.8 m
Toilet	Toilet flushing flow	3.8L
	Inlet way	Direct hose connection
	Flushing mode	Auto flushing, flushing by remote, flushing by mechanical button
	Distance between the center of soil pipe and wall	305 mm
	Sewage pipe inner diameter	110 mm
	Drainage pattern	Down-drainage
Cleaning function	Cleaning flow	300-600 mL/min (Water pressure is 0.18 MPa)
	Warm water heating way	Instantaneous
	Water temperature	Off/ 31 - 39 °C (5 levels of water temperature)
	Heater power	1650 W
	Safety device	Temperature fuse, thermostat, pressure relief device
	Backflow preventer	One-way-valve
	Nozzle position adjustment	5 levels
Seat heating	Surface temperature	Safety device
	Heater power	50 W
	Safety device	Thermal fuse and thermostat
Air purifier	Air purifier way	Diatom mud adsorption
	Air purifier capability	0.1 m ³ /min

Product Technical Specification

Category		Description
Warm air drying	Air speed	≥6 m/s
	Heater power	200 W
	Temperature	Off/ 30 - 46 °C (5 levels of air temperature)
	Safety device	Thermal fuse and thermostat
Waterproof rating		IPX4
Hydraulic requirements		0.07 MPa (dynamic pressure) -0.75 MPa (hydrostatic pressure)
Water supply temperature requirements		4 - 35 °C
Ambient temperature requirements		4 - 40 °C
Size		675 mm x 380 mm x 452 mm
Weight		53 kg
The device includes radio emission modules as follows: CMIIT ID:2015DJ4736(M), CMIIT ID: 2015DP5136(M), CMIIT ID:2015DP5135(M).		

5.1 Dimensions of the toilet



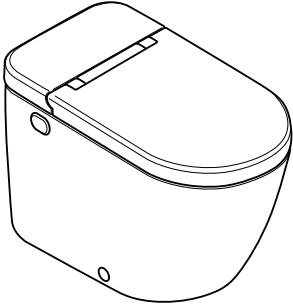
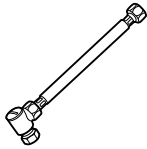
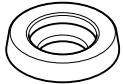

Delivery contents

6 Delivery contents


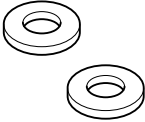
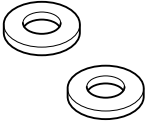
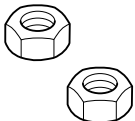
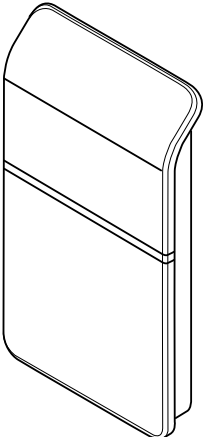
6.1 Standard delivery contents

Check that delivery contents are complete and undamaged on arrival.

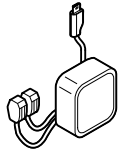
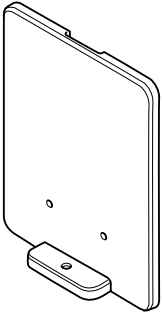

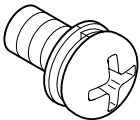
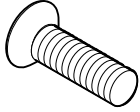
ViClean-IR

Main body		
Component	Designation	Quantity
	Main body	1
Ceramic fittings		
Component	Designation	Quantity
	Inlet water hose and filter	1
	Wax ring	1
	Ground screw (M8x36mm/ST7.5x46mm)	2

Delivery contents

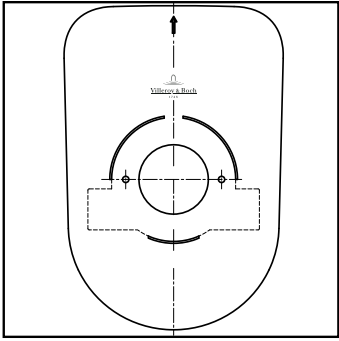
Ceramic fittings		
Component	Designation	Quantity
	Plastic expansion plug (Ø10x50mm)	2
	Flat washer (Ø22 x Ø8.7 x 1 mm)	2
	Rubber washer (Ø25 x Ø10 x 1 mm)	2
	Nut (M8)	2
Remote controller and fittings		
Component	Designation	Quantity
	Remote controller	1

Delivery contents

Remote controller and fittings		
Component	Designation	Quantity
	Adapter	1
	Wall mount	1
	Antitheft hook	1
	Screw (M4 x 8)	2
	Screw (M4 x 14)	2

EN-UK

Delivery contents

Accessories		
Component	Designation	Quantity
	IR-Stencil	1
	User manual	1
	Installation manual	1

Installation

7 Installation



Advice!

Before starting the installation of the remote controller, the electrical box has to be installed.



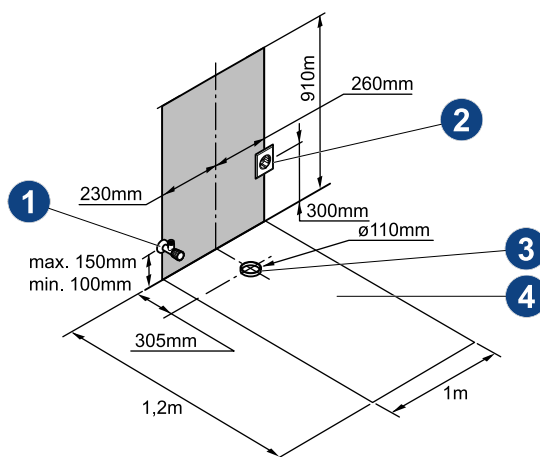
Advice!

Use modell no.: 86HS50ll of the electrical flush-mounted box.

The remote control assembly has been designed taking this box into account. When in the end smaller box is used, there is a risk of components not fitting in (transformer and/or back of the wall mount). When a bigger box is used, the wall mount might not cover up the entire box.

7.1 Prior to installation

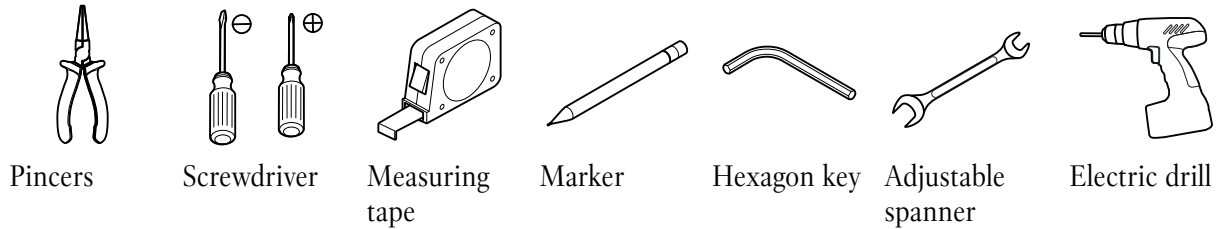
- Ensure that the titles and wall bricks have been laid and pipes in the pit and water supply pipes have been reserved prior to installation.
- Angle valve for drainage shall be opened to clear impurities and sludge in the embedded pipe prior to installation, so that the pipe will not be clogged and the product functions normally.
- It shall be confirmed that the extended height of soil pipe on the ground and distance from its center to the wall (Distance between the pit center and the wall) matches with the product.
- Position of the angle valve and outlet is as shown in figure below.



- 1 Angle valve
 - Distance from the angle valve to the ground is 150 mm a minimum can't be less than 100 mm.
- 2 Power socket
- 3 Sewage drain outlet \varnothing 110 mm inner diameter of the pipe 5-10 mm over the ground.
- 4 Installation space width 1 m Length 1.2 m

Installation

7.2 Installation tools



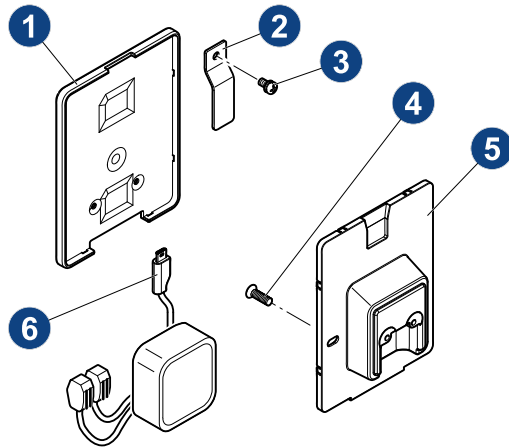
7.3 Install preparations

- Please read this manual carefully in order to get familiar with required tools, parts and installation steps, to avoid unnecessary loss due to improper installation.
- Installation should be based on the steps documented in this manual.
- Villeroy & Boch will not take responsibility for negative consequences due to deviation from the steps in this manual without explicit approval.
- Distance from the surface of ground and wall must be made watertight during installation; the bottom part of the toilet shall not be fixed and installed using cement, otherwise damage can easily occur. Since ceramics can be easily damaged it should be handled with care during installation, also do not tighten the nuts excessively to avoid damage to the product.
- Please take care of the ["Product Technical Specification", page 9](#).
- After the installation, water shall be supplied before the first power up.
- Due to the factory water test prior to delivery, a small amount of water may flow out upon taking the product out, which is normal.

Installation

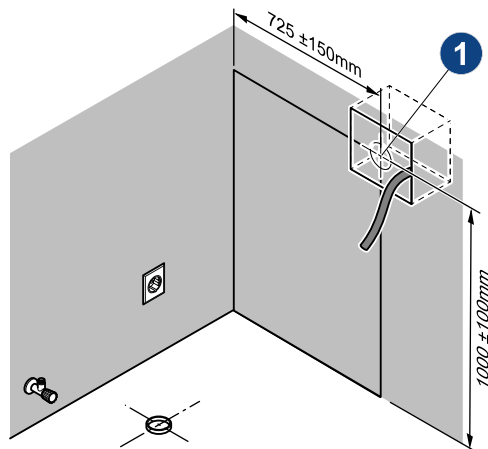
7.4 Installing the remote controller

The wall mount contains the following parts:



- 1 Wall mount front
- 2 Antitheft hook
- 3 2x Screw M4 x 8
- 4 2x Screw M4 x 14 countersunk
- 5 Wall mount back
- 6 Adapter with micro-usb-plug

Position of the wall mount box:

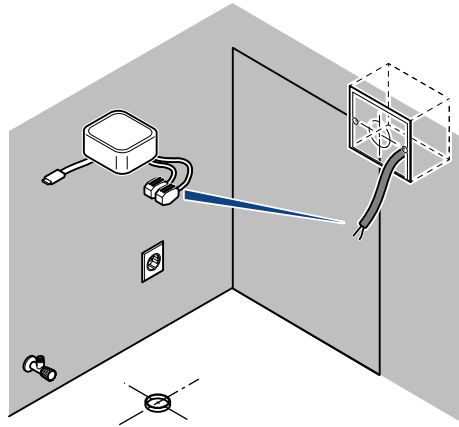


- 1 Center point of installation

1. There should be an opening on the wall where you can put an electricity box model No. 86HS50ll.

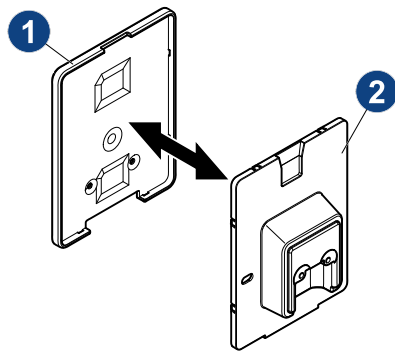
Installation

Installing the cable bundle and the adapter:



2. Once the box has been installed in the wall, the adapter should be connected to the electric cable.
 - ▶ Power rating: 220-240 V AC, 50 Hz

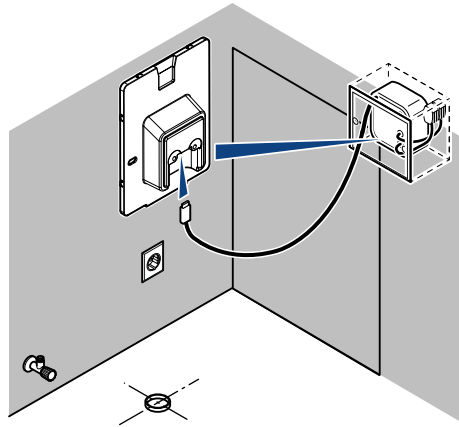
Take down the front cover:



- 1 Wall mount front
- 2 Wall mount back

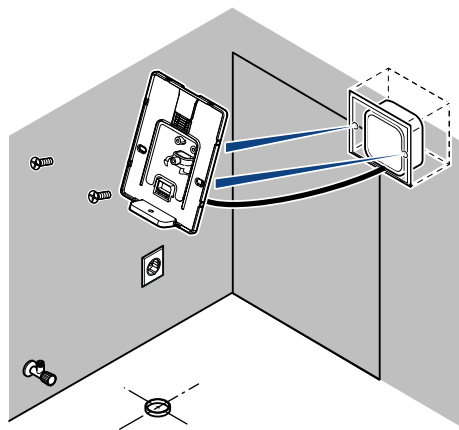
Installation

Connecting the wall mount back:



3. Once the adapter is inside the electric box, the micro-usb-plug is inserted in wall mount back.

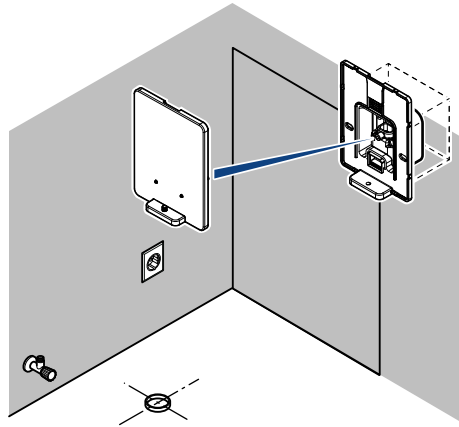
Installing the wall mount back:



4. Once the micro USB cable has been inserted into the wall mount back, the wall mount back must be screwed to the electric box.

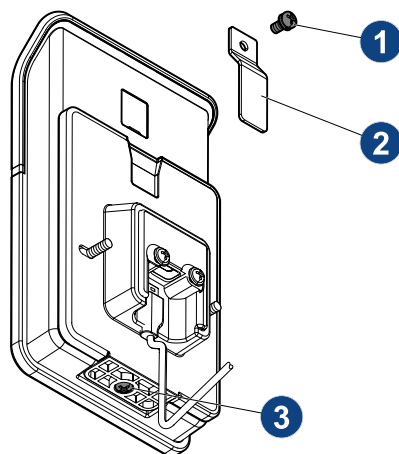
Installation

Installing the wall mount front:



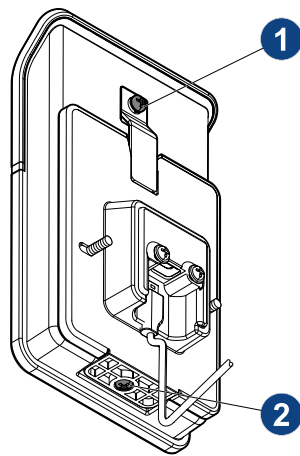
5. Once the main part of the wall holder has been screwed to the electricity box, the cover of the wall holder must be clicked on it.

Fix the remote controller to the wall mount (optional):

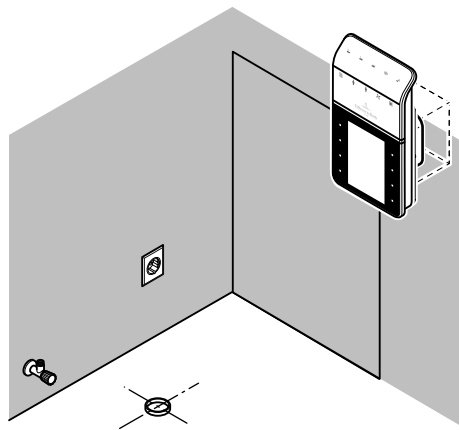


- 1 Screw (M4x8)
- 2 Antitheft hook
- 3 Screw (M4x8)

Installation



- 1 Antitheft hook
- 2 Screw (M4x8)



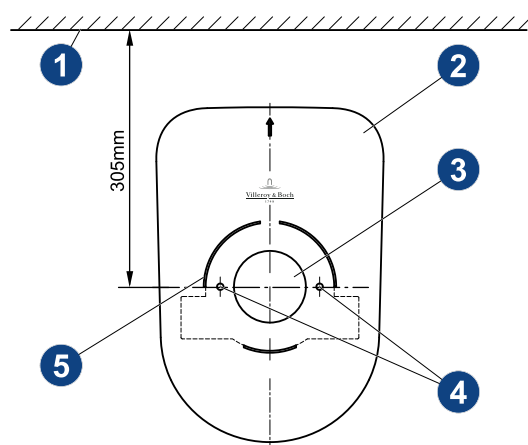
6. Once the wall holder has been properly installed, the remote can be hung.
7. There is the option to use the antitheft hook and the screw (M4x8) to fix it to the holder. Otherwise, it is simply held by the magnets inside.

Installation

7.5 Installing the toilet

Follow the installation specification to fix the toilet as detailed in the following steps. After completion, connection between the connecting wire and toilet's connector should be made and screwed tightly. Organize extra exposed connecting wires.

Mark the installation positions:

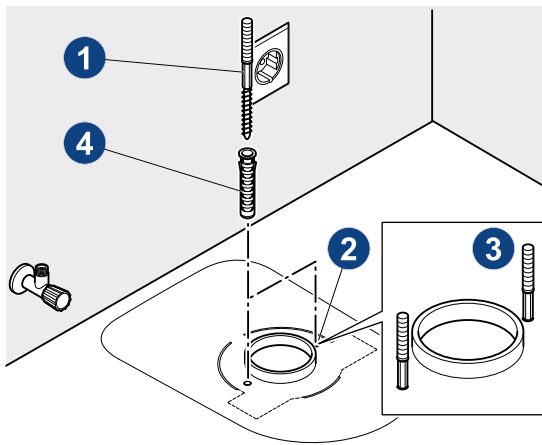


- 1 Wall
- 2 Toilet contour stencil
- 3 Position of the soil pipe
- 4 Position for the ground screws
- 5 Floor flange contour

1. Mark the installation positions for the ground screw, the contour of floor flange and the toilet.
 - ▶ Using a marker pen with the installation stencil.
2. Remove the installation stencil.

Installation

Installing the ground screw:



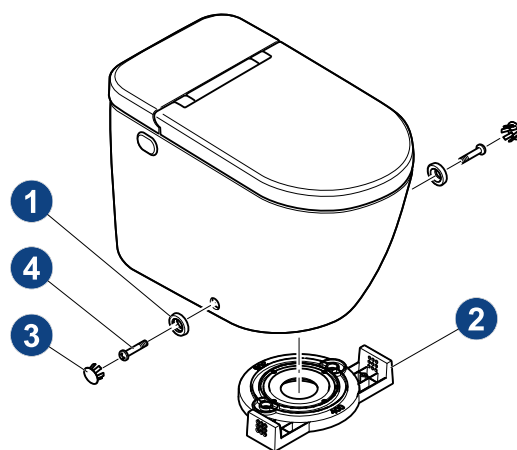
- 1 Ground screw
- 2 Prior to installation
- 3 After installation
- 4 Plastic expansion plug

3. Drill a hole of $\text{Ø}10 \times 55$ mm with the electric drill separately at the marking position of the ground screw.

► Using an impact drill.

4. Fix a plastic expansion plug ($\text{Ø}10 \times 50$ mm) and a ground screw (M8x36/ST7.5x46mm) with the adjustable spanner.

Preparation before fixing the toilet and floor flange:

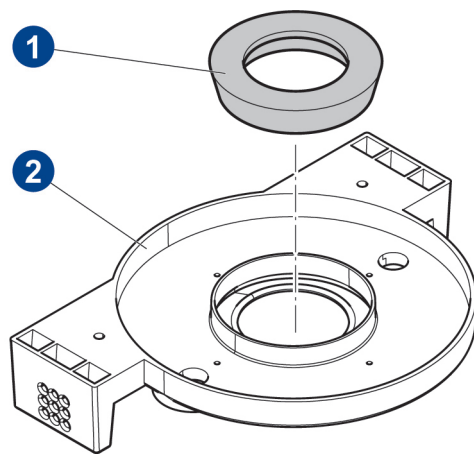


- 1 Plastic sheath
- 2 Floor flange
- 3 Cap of screw
- 4 Screw of the floor flange

5. Remove the screws from floor flange on both sides and the floor flange from the toilet.

Installation

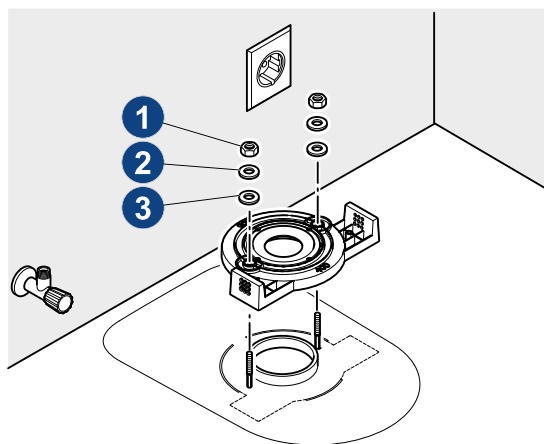
Preparation of the floor flange:



- 1 Wax ring
- 2 Floor flange

6. Install the wax ring.

Fixing the floor flange:

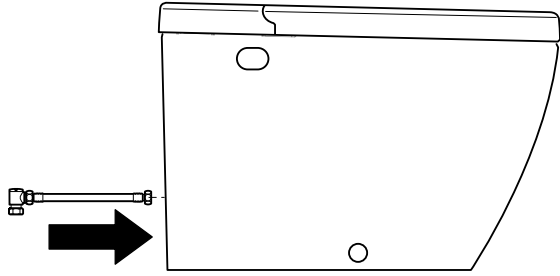


- 1 Hexagon nut (screw the nut tightly)
- 2 Flat washer
- 3 Rubber washer

7. The outer contour of floor flange shall be aligned with the contour on the ground before mounting the flat washer on the ground screw.

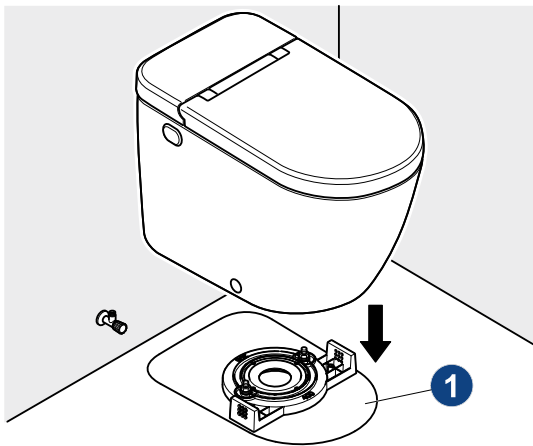
Installation

Installing the water supply:



8. Install the water supplying hose including filter on toilet connection inlet.
 - ▶ Screw the nut tightly.

Fixing the toilet:

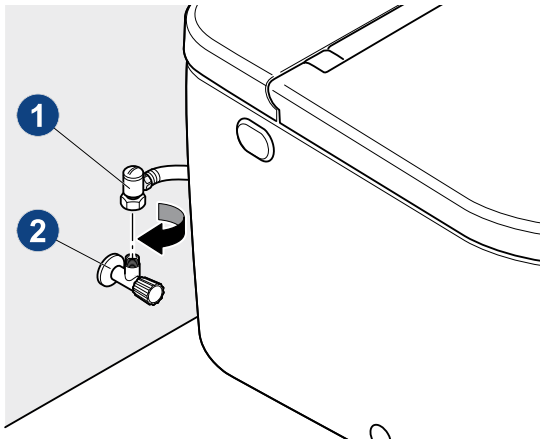


1 Toilet contour

9. Carefully clean the ground surface of the installation area.
10. Lift up and move the bottom of the toilet ceramic above the floor flange so as to align the bottom of the ceramic with the contour line.
11. Put down the toilet carefully.

Installation

Connecting the water supplying hose fittings:



- 1 Water supplying hose filter
- 2 Angle valve

12. Install the filter in the water supplying hose onto the angle valve.

- ▶ Screw the nut tightly.



Advice!

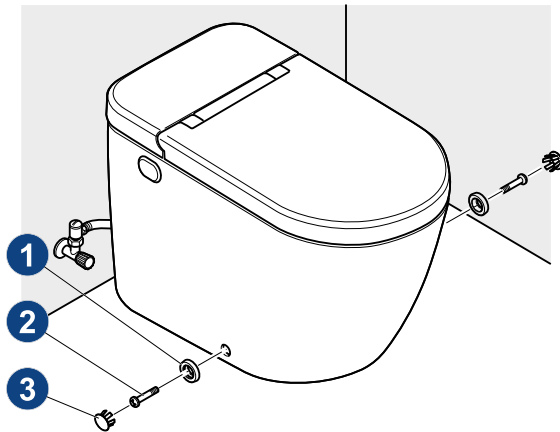
Do not bend or twist water supplying hose excessively.

Check the tightness of the connection:

- 13. Open the angle valve.
- 14. Press the "FLUSH" button more than 3 times in order to flush water continuously.
- 15. Check any leakage from all connections.
- 16. Close the angle valve if no leakage found.

Installation

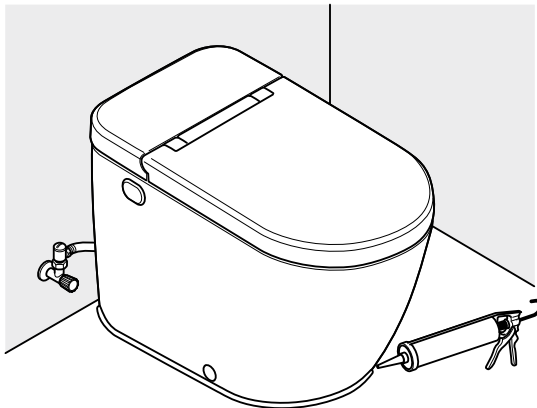
Fixing the toilet:



- 1 Plastic sheath
- 2 Screw of the floor flange
- 3 Cap of screw

17. Cover the floor flange screws with plastic sheaths.
18. Lock the screw tightly.
19. Put on the screw cap.

Painting mold prevention sealant:



20. Clean the ground surface around the bottom of the toilet ceramic.
 - ▶ Use a dry cloth.
21. Evenly distribute the sealant around the bottom of the ceramic.
 - ▶ Use mold prevention sealant.

Installation

7.6 Preparation and test prior of use

1. Open the angle valve.
2. Check the power supply.
3. Make sure the power plug has been plugged in tightly.
4. Push down the earth leakage circuit-breaker.
5. Test the function of rearwash and ladywash.



Warning!

Eletrocution from touching live components!

Severe injury and even death can be the consequences.

The power plug shall be plugged in the grounded outlet, otherwise it is possible to cause electric shock if power failure or earth leakage occurs.

Please use 220 V alternating current, otherwise product failure might occur.

Decommissioning

8 Decommissioning



Caution!

Danger to the environment from incorrect handling of environmentally hazardous materials.

Considerable damage to the environment can be caused by incorrect handling of environmentally hazardous materials, especially incorrect disposal.

Recycle electronic equipment, or dispose of properly. Do not dispose of electronic equipment in the household waste.

Observe the local regulations.

1. Switch off water at the angle valve.
2. Unplug the power cord.

The ViClean-IR system is dismantled in the reverse order of its ["Installation"](#), page 15.

EN

10-2015

Shades and dimensions subject to the usual tolerances. We reserve the right to make technical modifications to the range and alter colours
