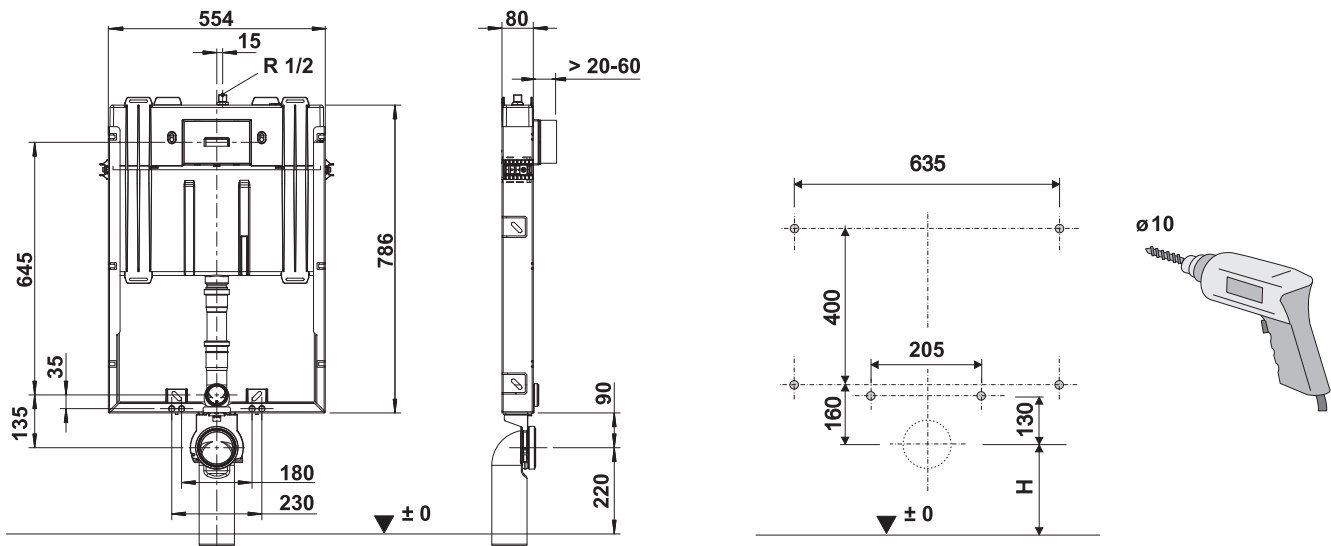
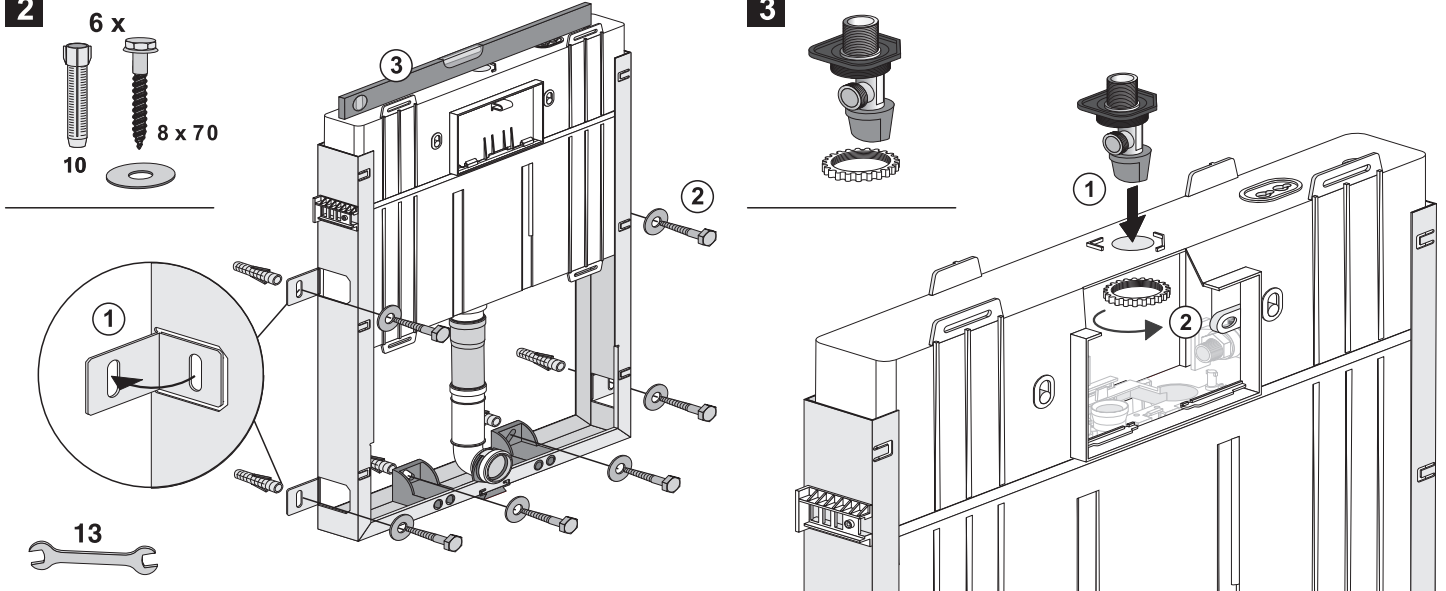


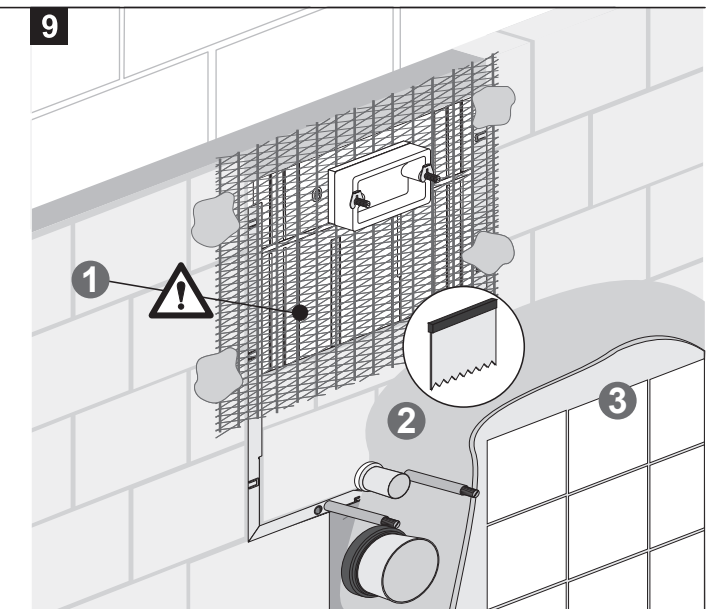
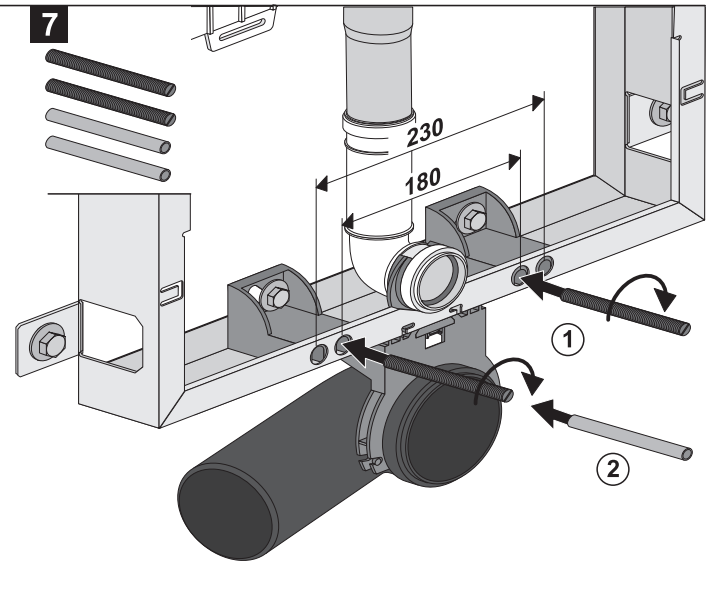
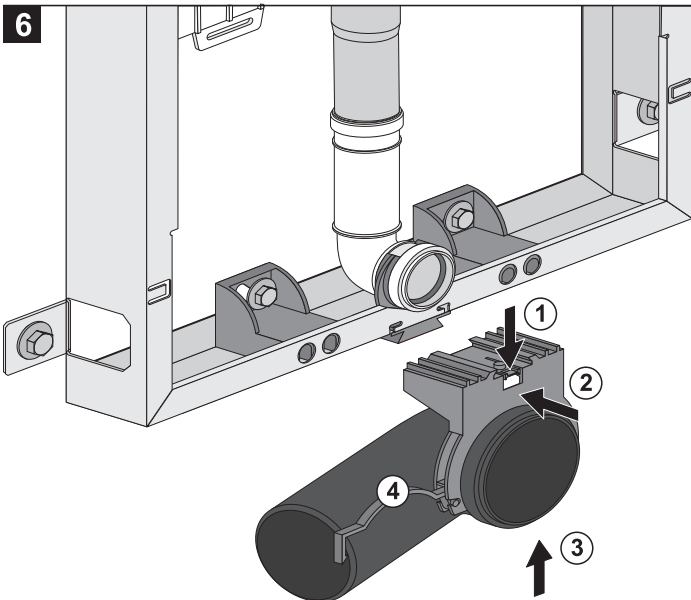
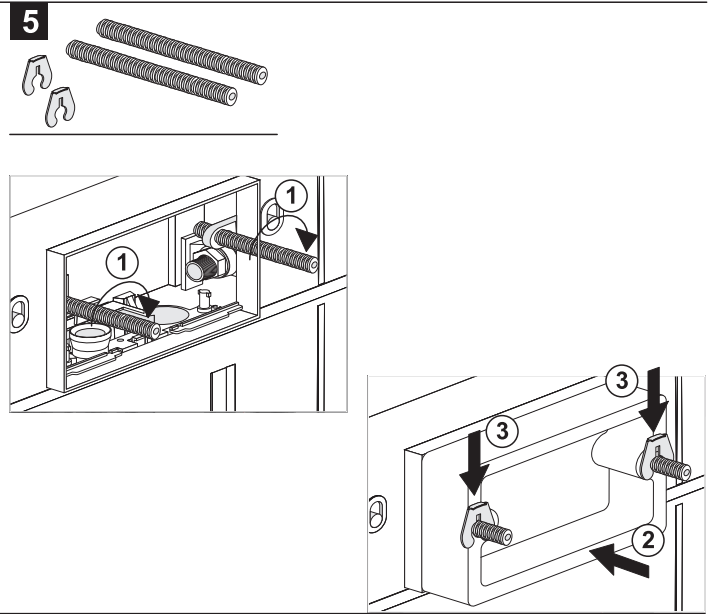
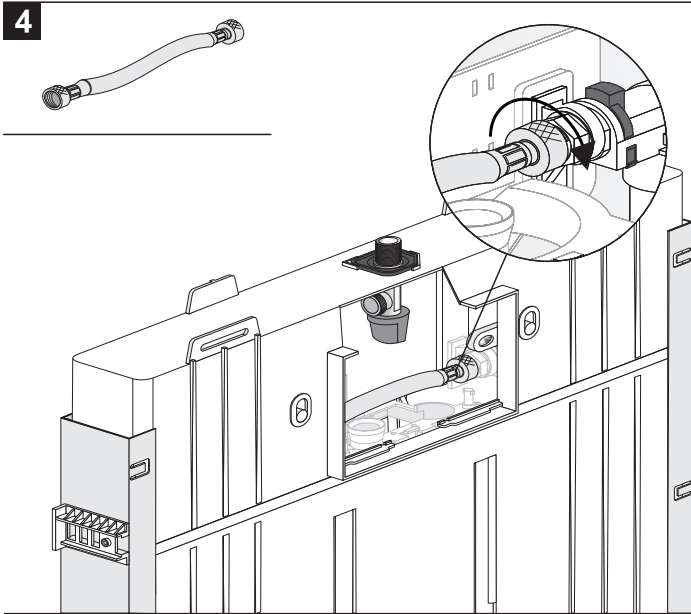
1



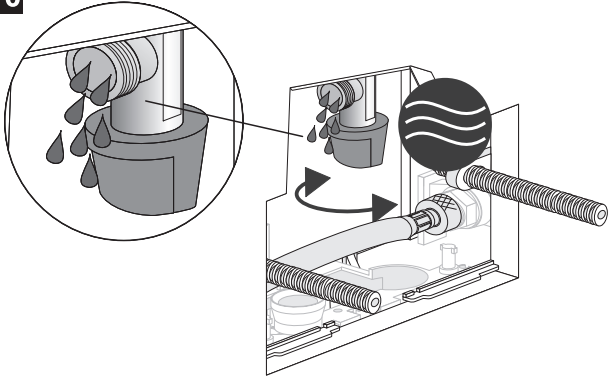
2

3

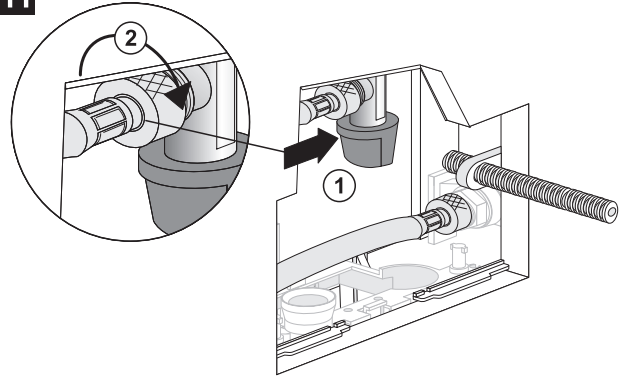




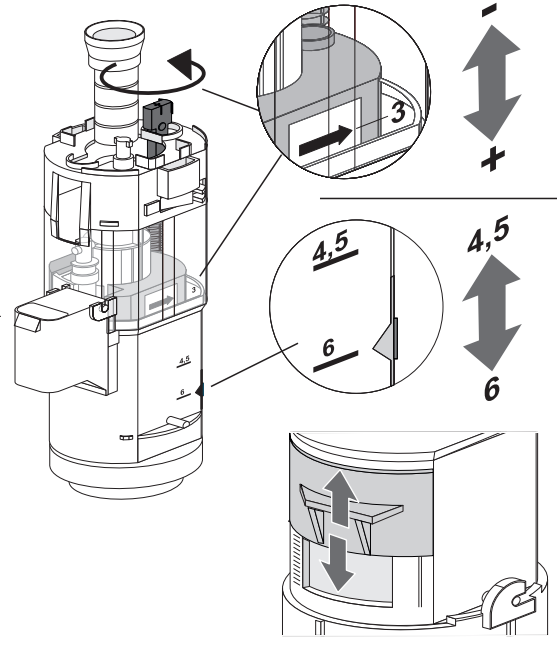
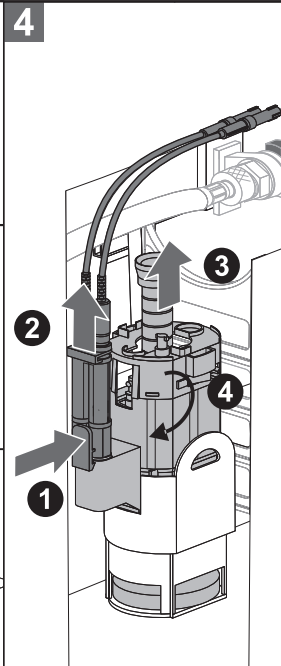
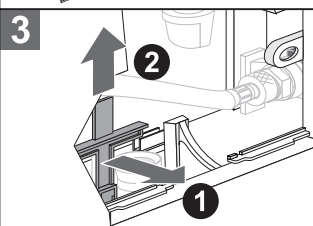
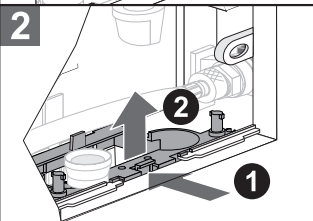
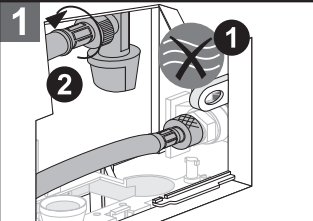
10



11



Service

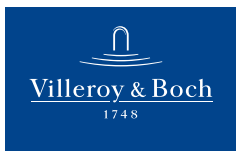


Villeroy & Boch AG
Saarferstraße 1
D - 66693 Mettlach

14

DoP Nr. M244-01
CC-80-S-FO-2V-2C
Personal hygiene

EN 14055-CL1-6-NLI-VR11



*Villeroy & Boch AG
Bathroom and Wellness Division
Corporate Headquarters
66693 Mettlach*