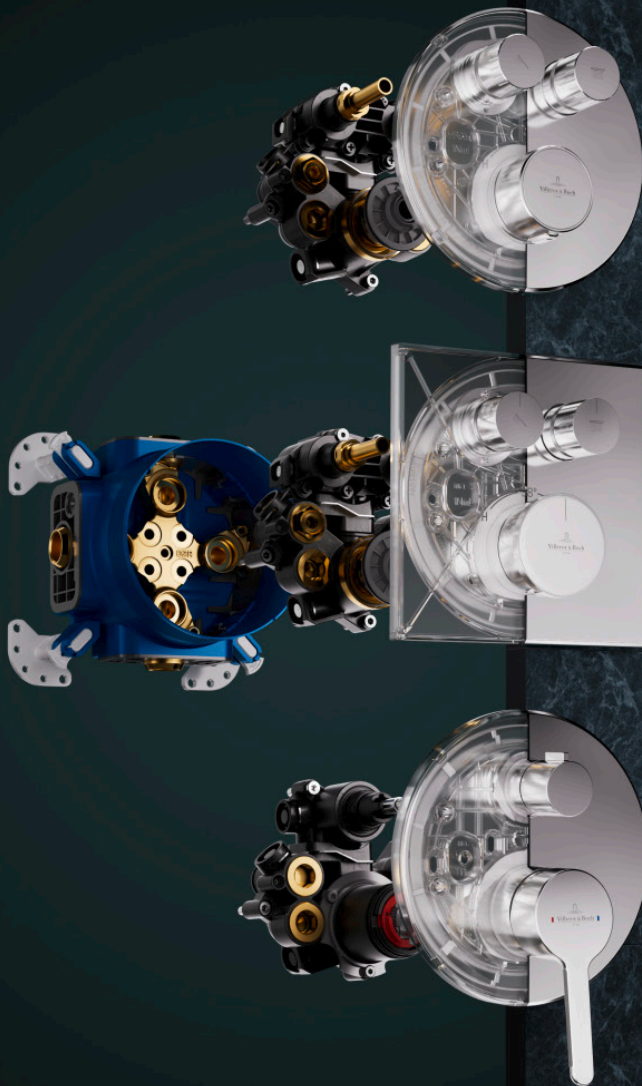



Villeroy & Boch
1748


Ideal Standard

EASY-BOX



GENIUS BEHIND THE WALL

The installation-friendly fitting system


Villeroy & Boch
and Ideal Standard
Compatible Technology

ONE SYSTEM FOR ANY INSTALLATION SCENARIO

As a universal basic set, the Easy-Box is suitable for use with all bathroom and shower fittings from Villeroy & Boch and Ideal Standard. The decision on the appropriate fitting can be left until the end of the project. It is even possible to change the functional unit after installation – from a single-lever mixer to a thermostat, for example.

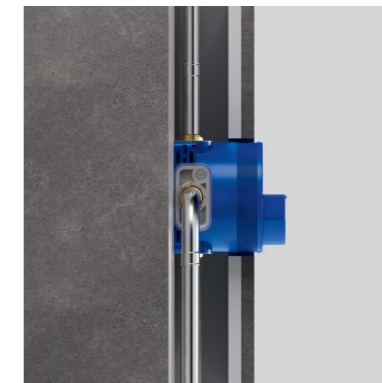
SIMPLE INSTALLATION

The innovative Fast-Fix fitting system ensures simple, flexible and problem-free installation. The Easy-Box adapts perfectly to any installation scenario.

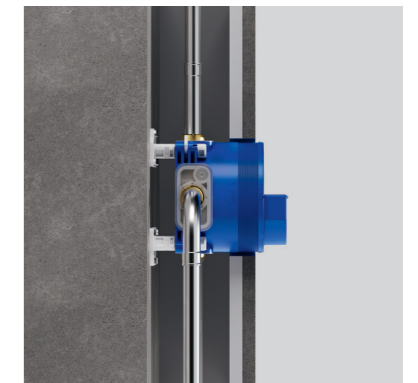
FIVE INSTALLATION OPTIONS:



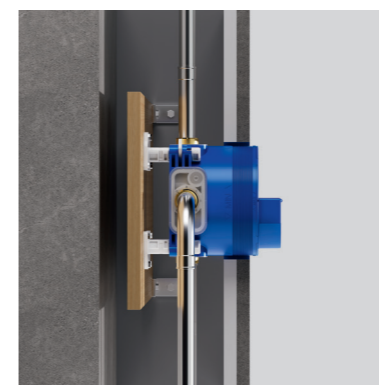
Installation in the wall



Installation on the wall



Pre-wall installation with
fixing feet



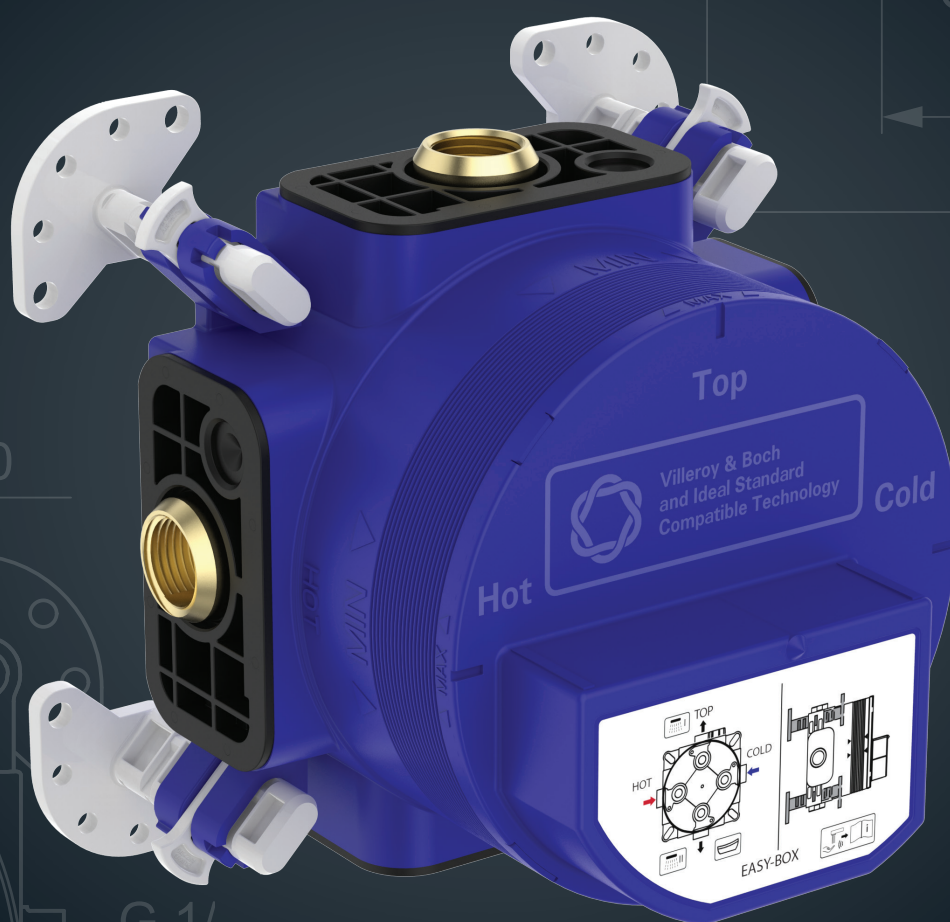
Pre-wall installation on
support system



Installation on prefabricated
building-block modules or
prefab assembly cells

UNIVERSAL DESIGN

Shared technology means Villeroy & Boch and Ideal Standard benefit from a joint technical basis. This ensures the highest quality, tried and tested innovations and maximum planning reliability for all those involved in the project.



Find out more about Easy-Box
from Villeroy & Boch and Ideal Standard at:

pro.villeroy-boch.com/easy-box

links.idealstandard.com/easybox-en