

# INSTALLATION GUIDE

*Electronic Bidet Seat*



# VICLEAN<sup>U+</sup>

BEYOND TECHNOLOGY

*Powered by TOTO*

# Installation Guide

Before installation, be sure to read this installation guide and the separate safety sheet. Mount parts properly according to the instructions.



## Precautions before installation

- Only turn on the electricity and water supply for the product after all other installation work has been completed.
- Do not damage the connection components on the water supply hose (C-3).
- The water supply pressure range is between 0.1MPa (dynamic) and 1.0MPa (static) in Europe. Use the unit within the specified pressure range.
- The water temperature must be within a range of 0 to 35°C. Make sure the temperature is within this range.
- The ambient temperature during operation must be within a range of 0 to 40°C. Make sure the temperature is within this range.
- As a water flow test is conducted on each product at the factory, a small amount of water may remain inside the product. This water does not indicate a problem with the product.

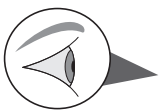
## Symbols and their meanings



This task must be carried out by the installer.



This function is performed automatically by VICLEAN<sup>U2</sup>.



Visual confirmation is required for this.



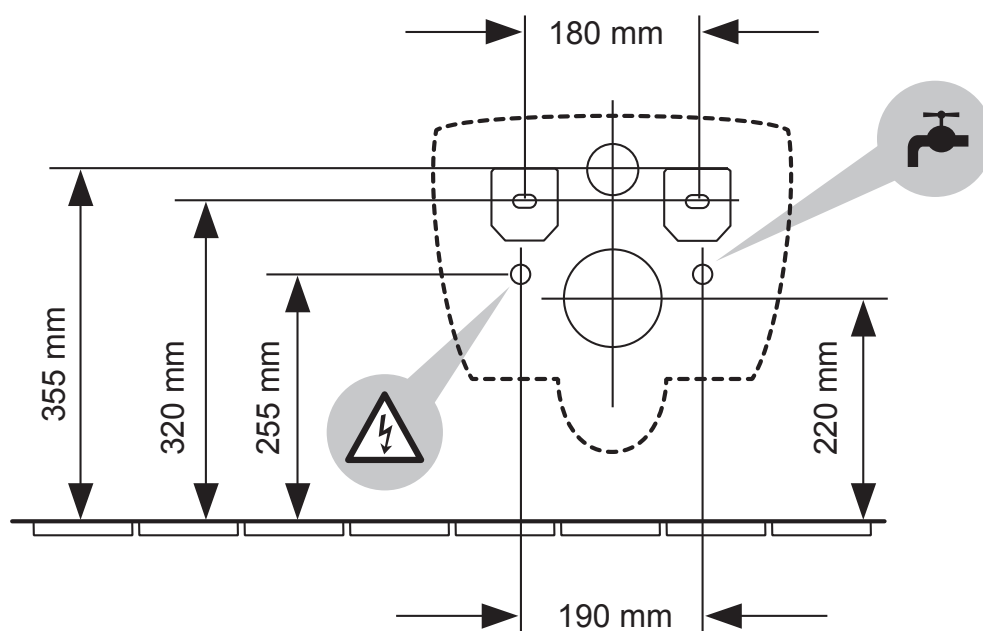
Indicates the workflow direction.

# Specifications

Check the appropriate type for your mains connection in the table below, and then wire and install the product correctly.

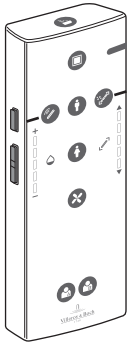
Rated power supply	220 – 240V alternating voltage, 50 Hz
Rated power consumption	(fluctuating) 845 - 855W
Maximum power consumption	((fluctuating) 1528W (At a water supply temperature of 0°C)
Power cord length	0,62 m

Prepare an outlet position in advance that conforms to the regulations in your country.

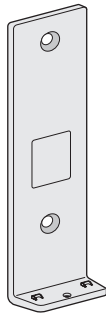


# Included Parts

A-1



A-2



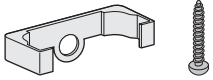
A-3



A-4



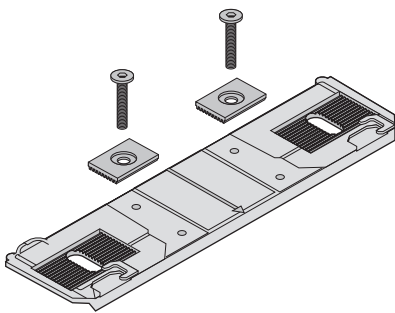
A-5



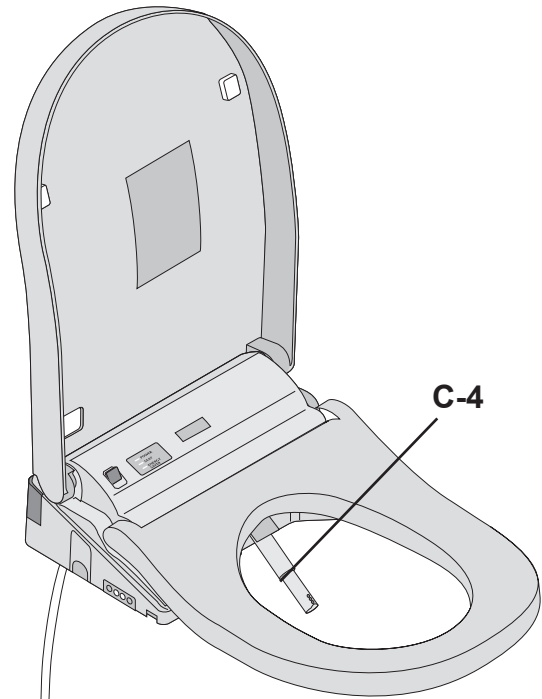
## Anti-theft protection for the remote control

Please ask the home owner if he would like to have the remote control anti-theft kit installed before starting installation. Please leave the anti-theft kit with the owner if it is not installed.

A-6



C-1



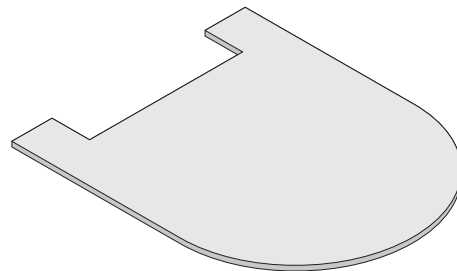
C-2



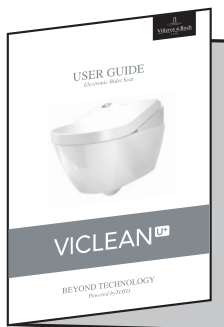
C-3



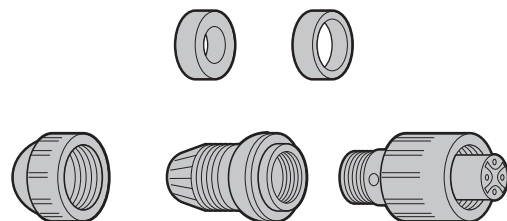
A-8



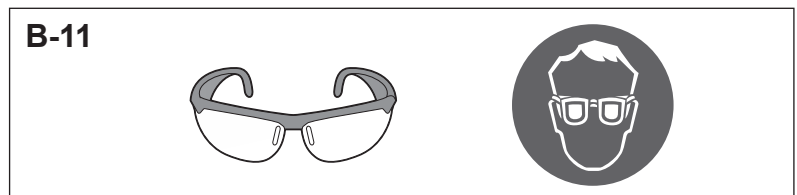
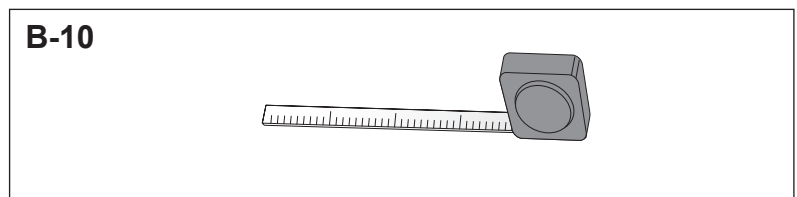
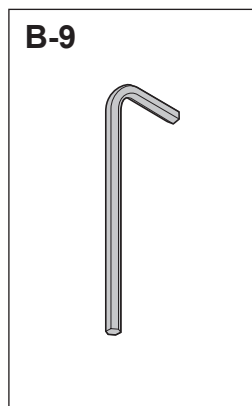
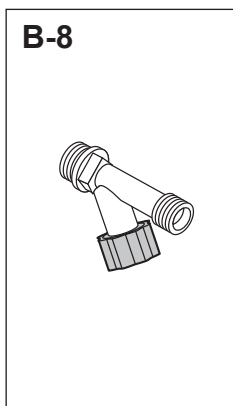
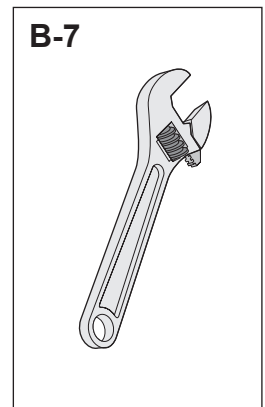
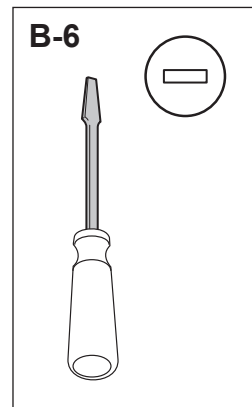
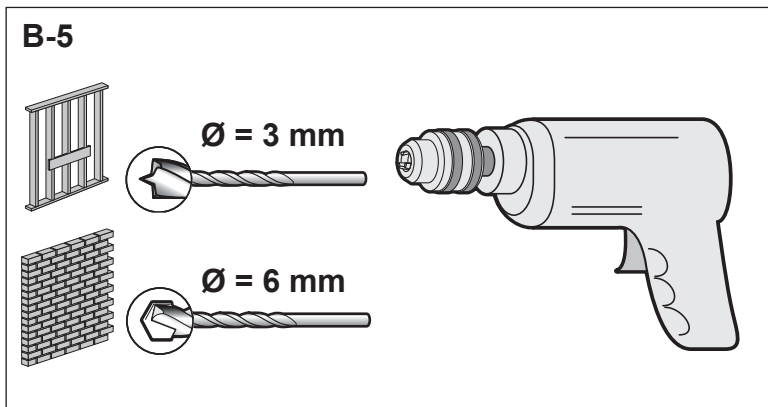
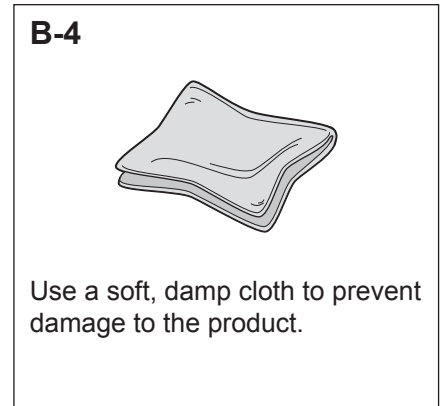
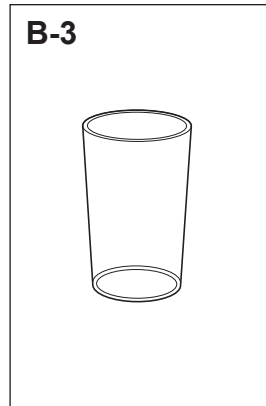
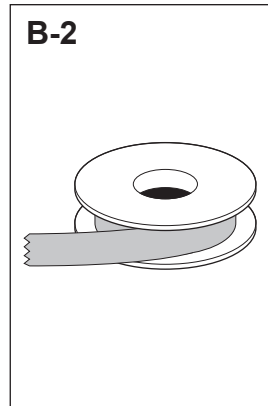
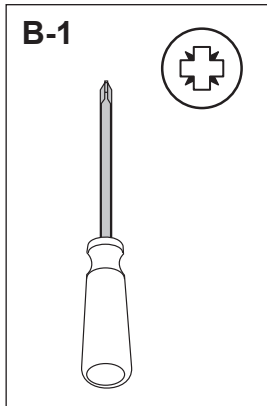
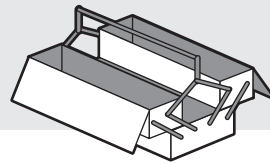
A-7



A-9

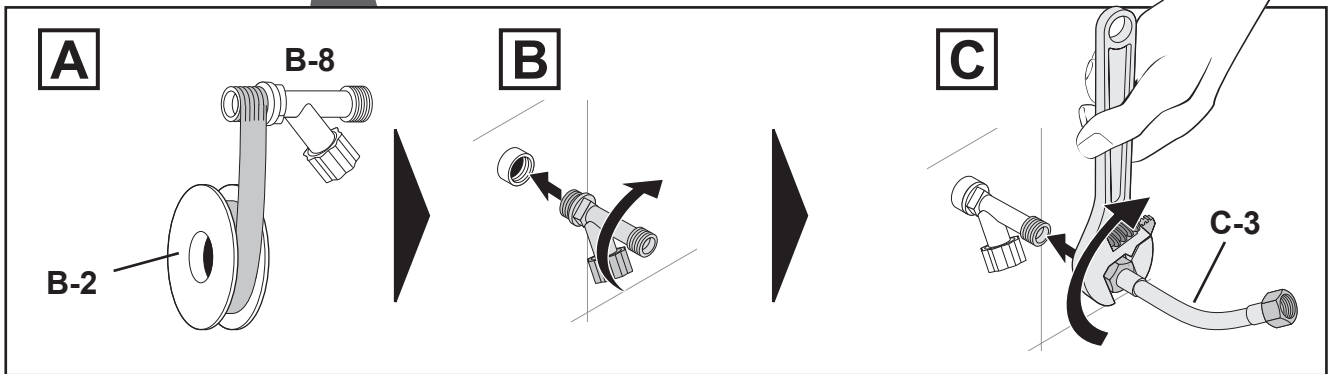
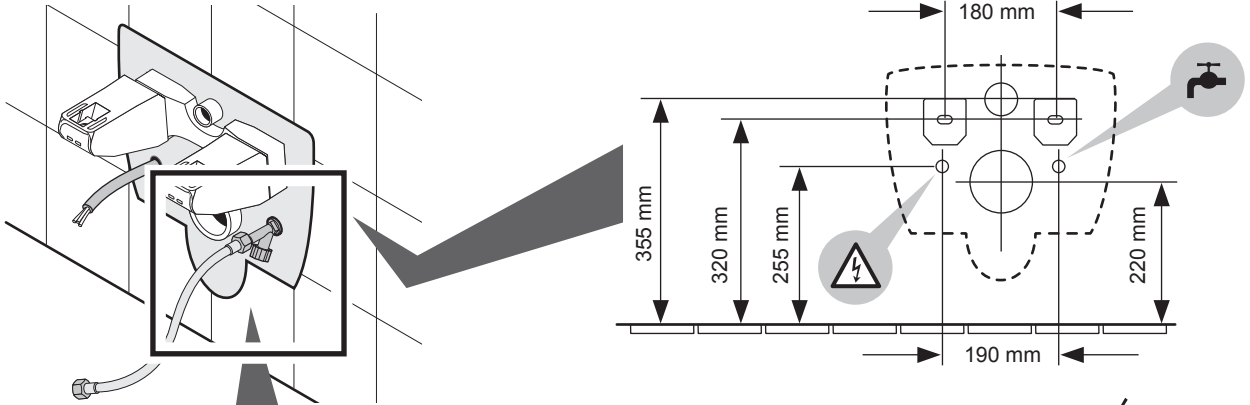


# Required tools/items

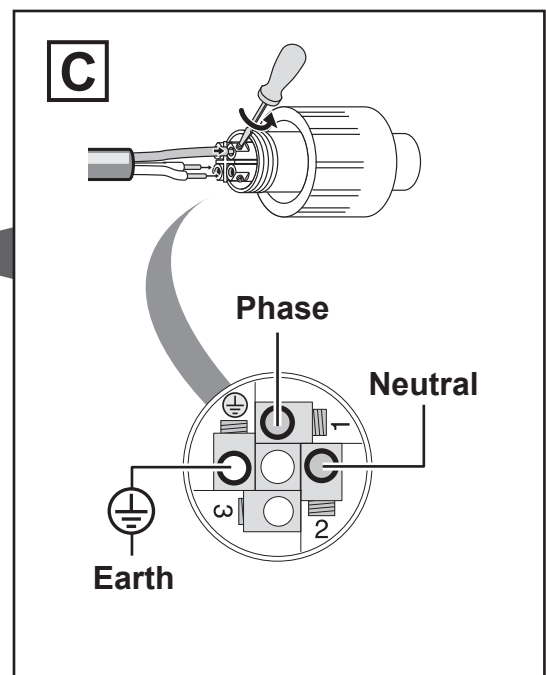
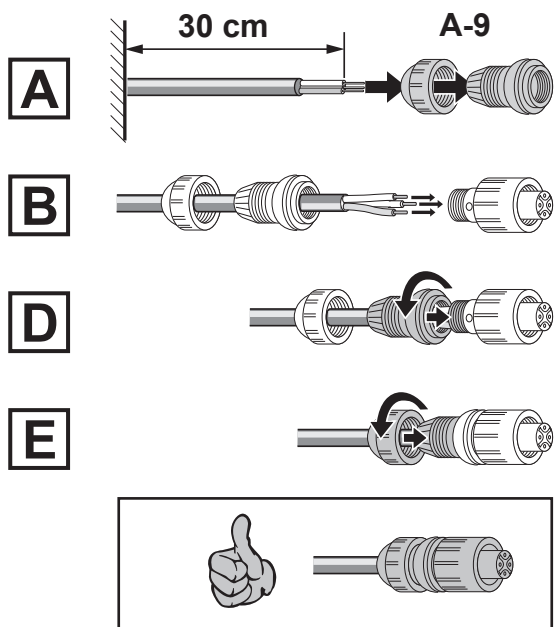
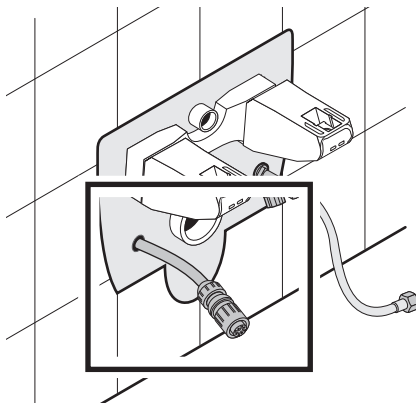


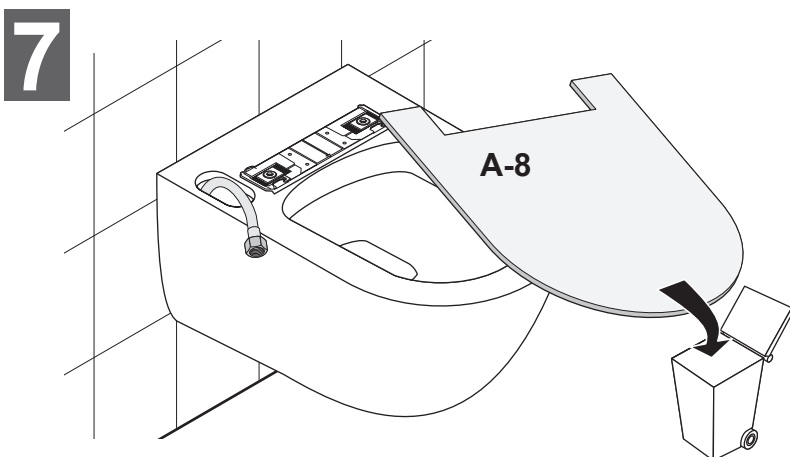
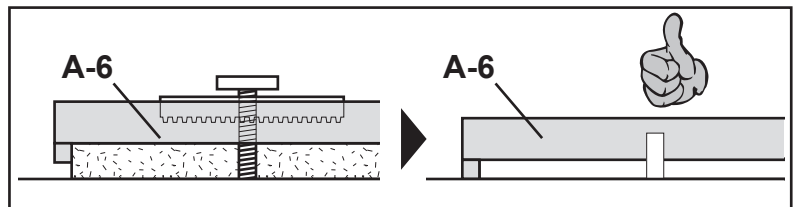
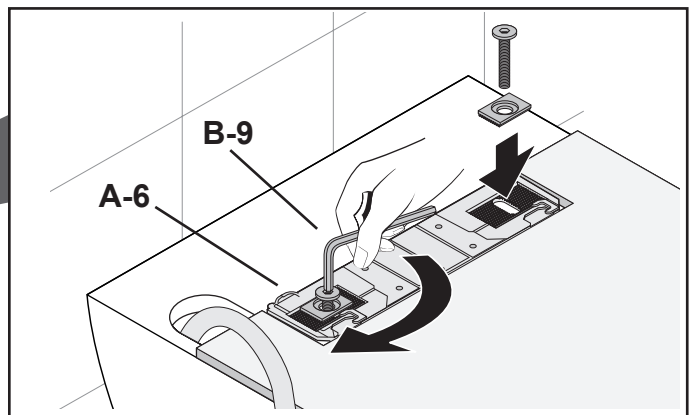
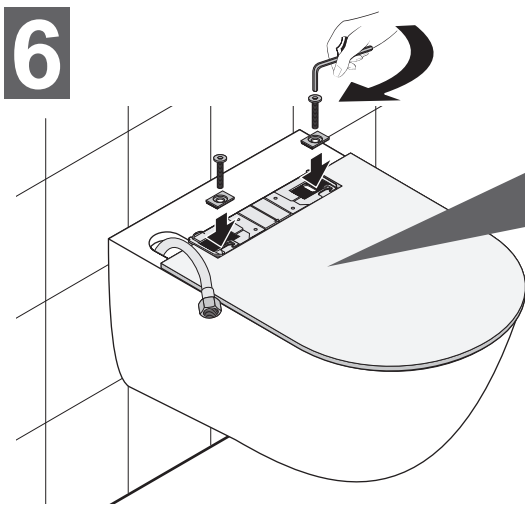
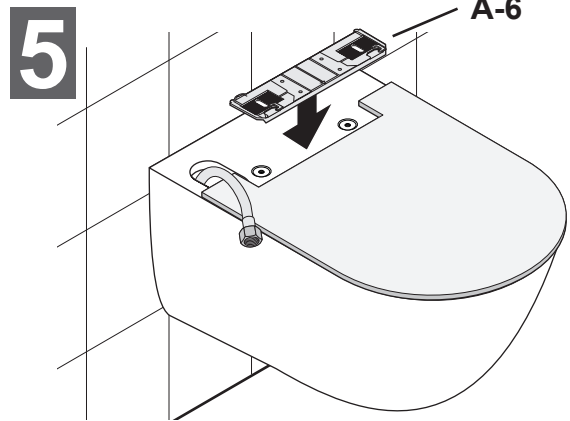
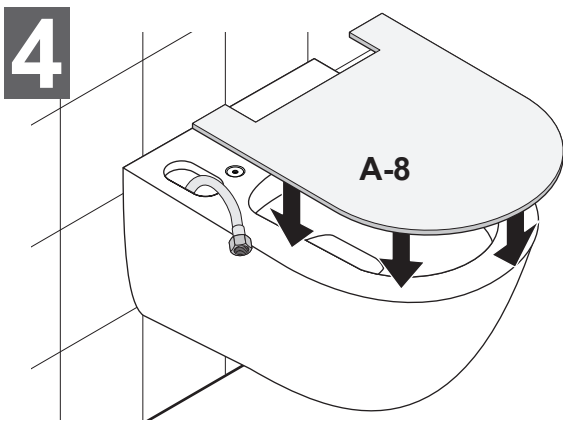
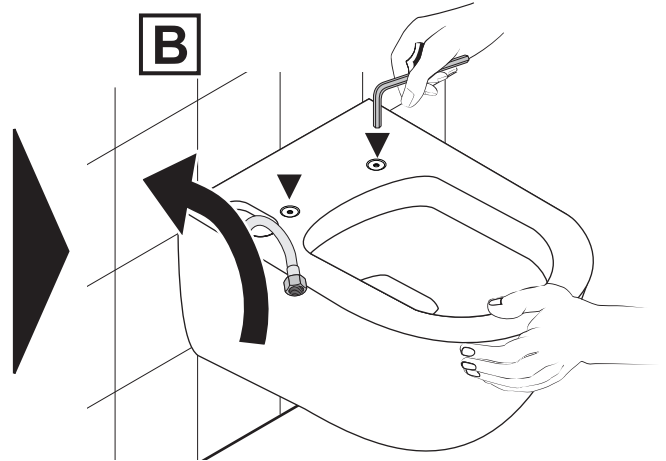
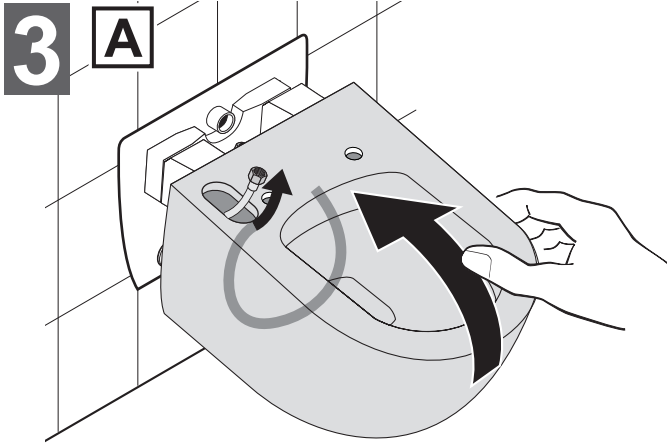
# Installation procedure

**1** Switch the circuit breaker in the fuse box to OFF.



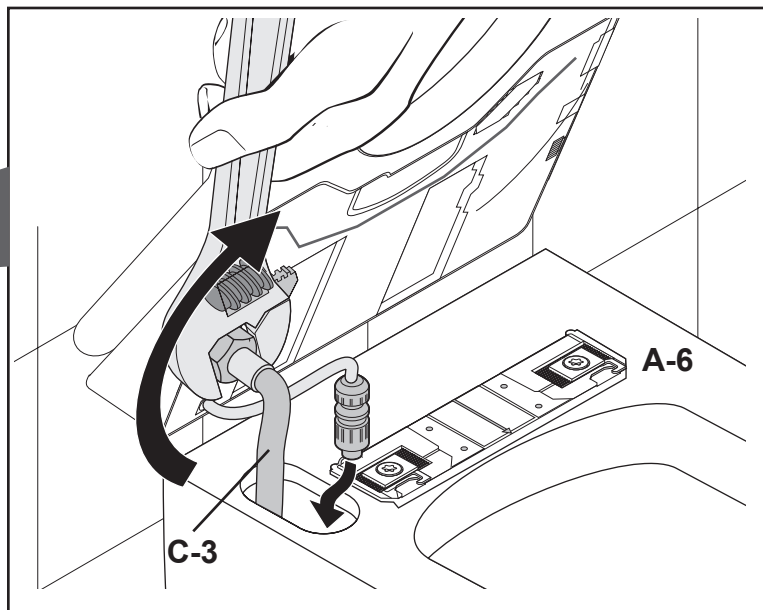
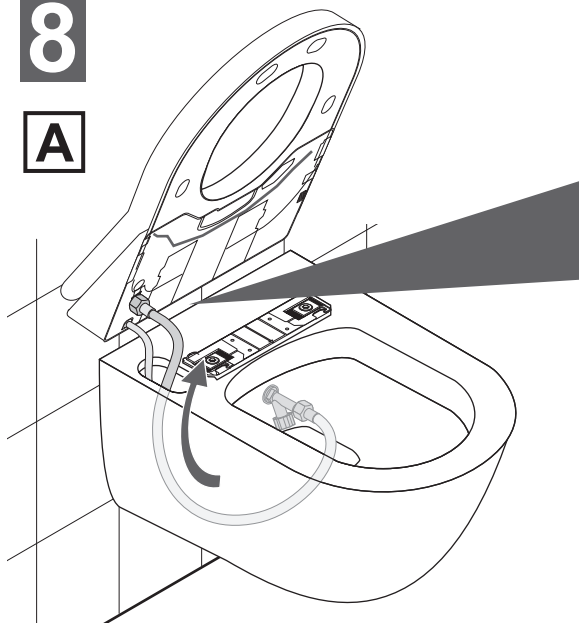
**2**



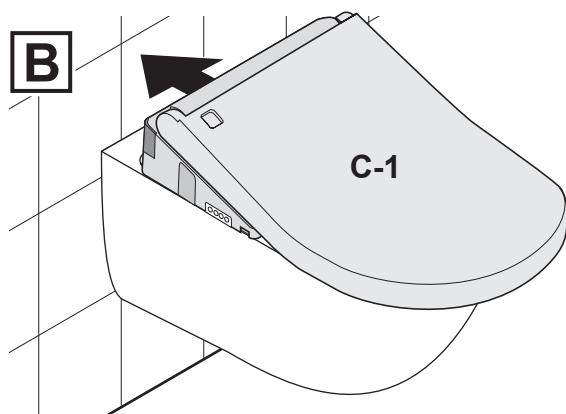


8

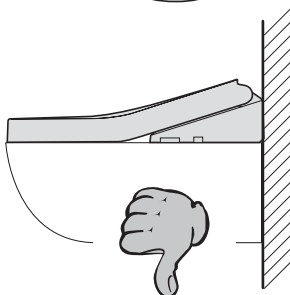
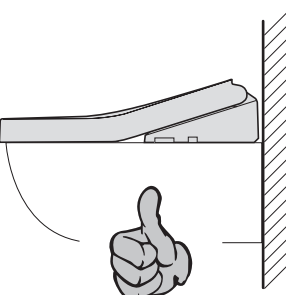
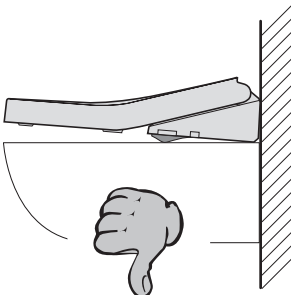
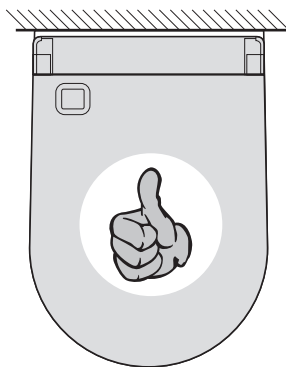
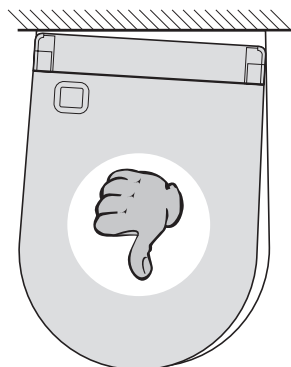
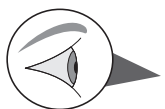
A



B

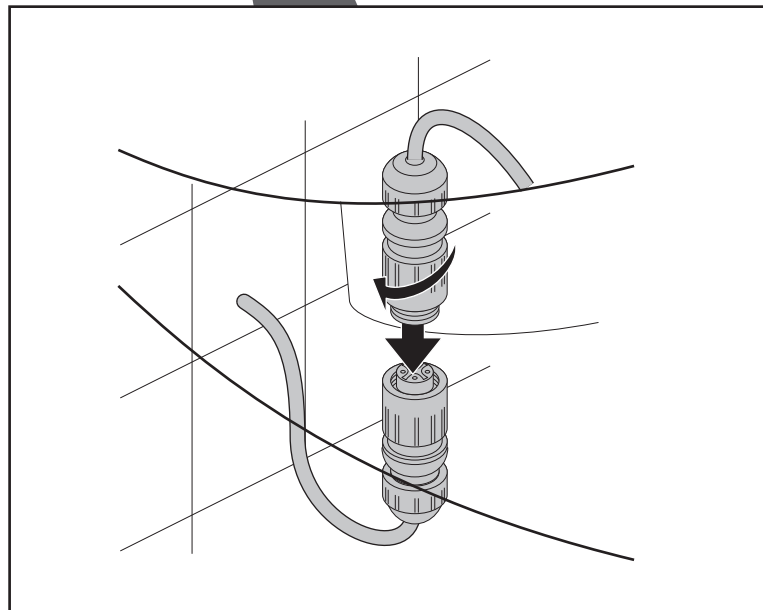
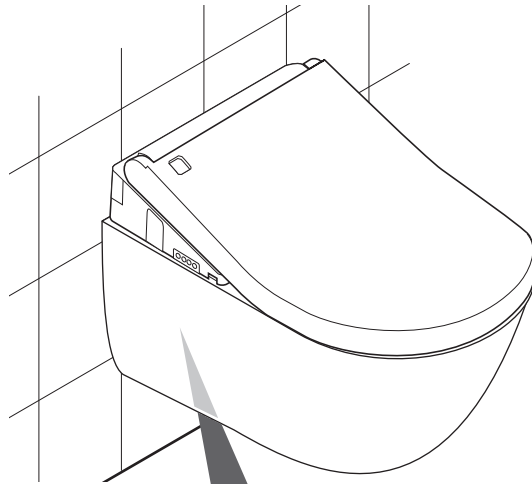


Press C-1 into A-6 until C-1 engages with a click. (After C-1 is mounted, make sure that it cannot be removed even if it is pulled.)





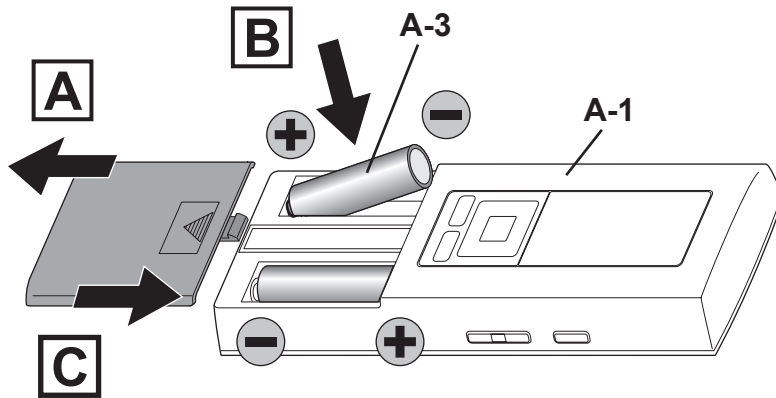
9



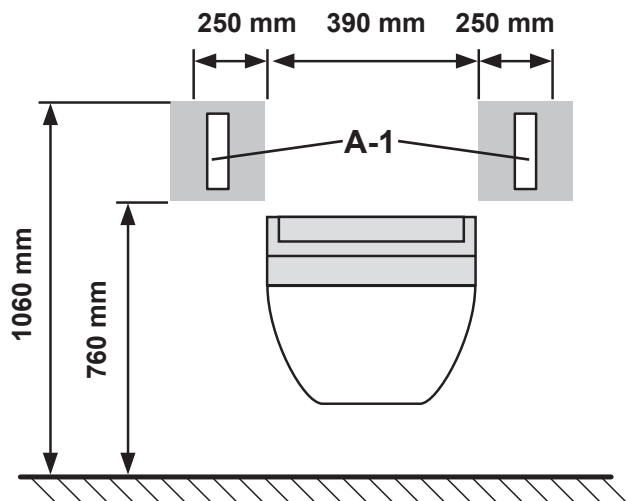
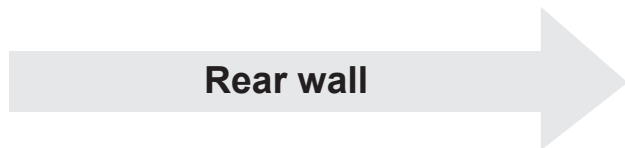
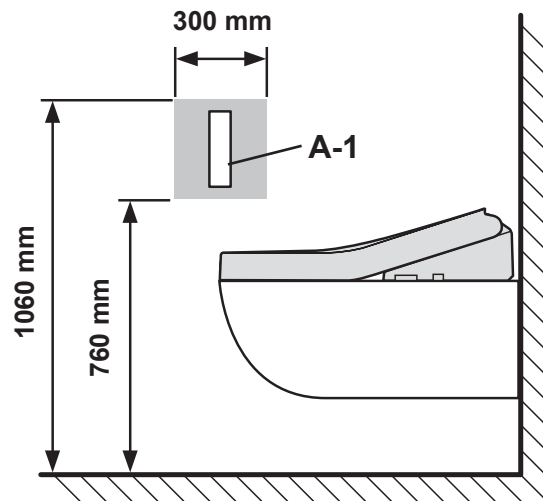
**Switch the circuit breaker in the fuse box to ON.**

# Mounting the remote control

10



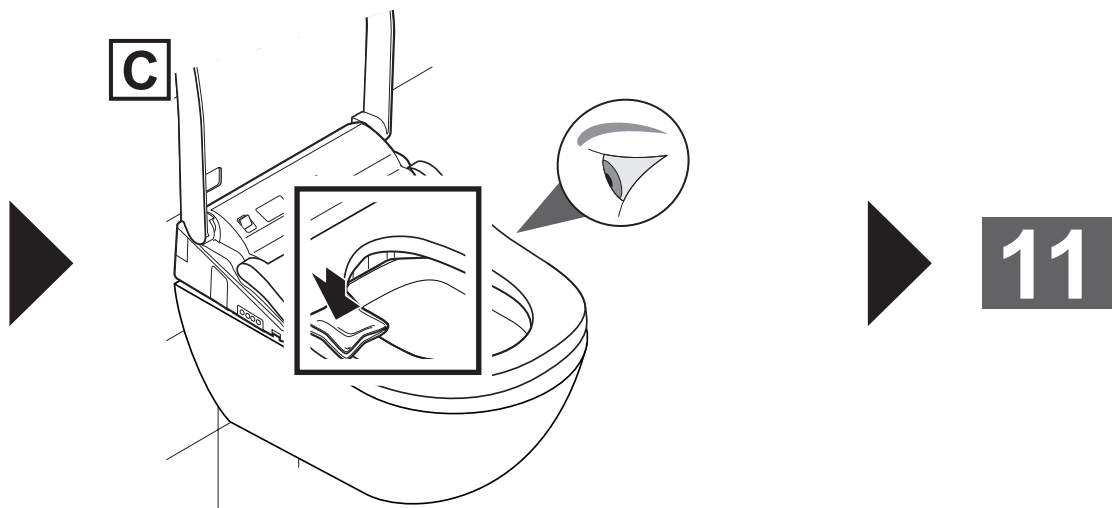
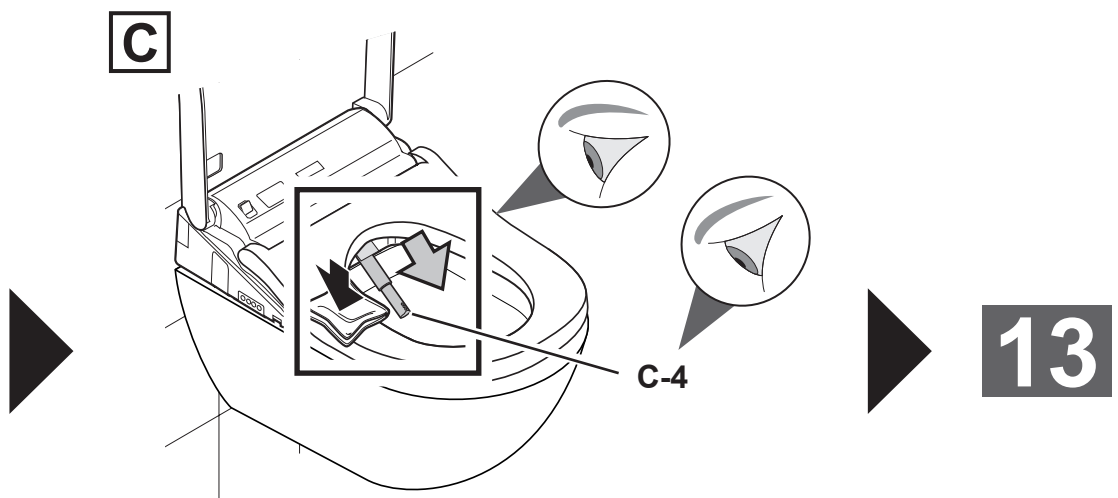
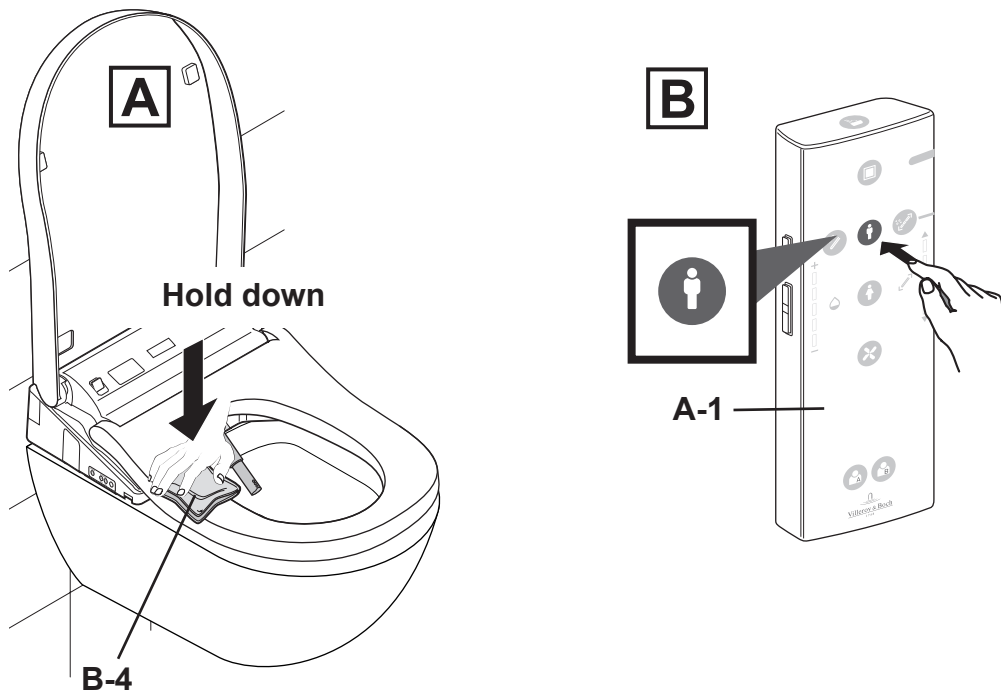
11



**12**

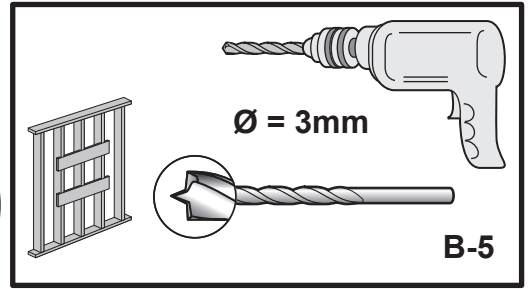
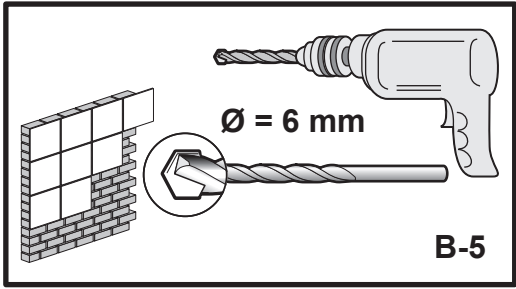
Temporarily place the remote control in the position determined in and check the signal reception at A-1.

**11**

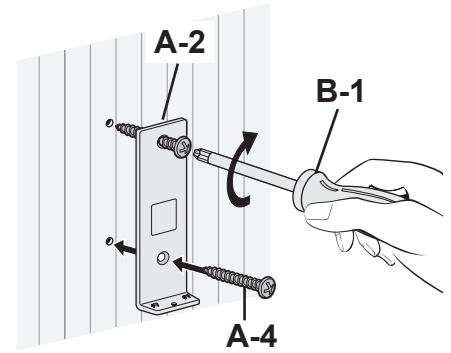
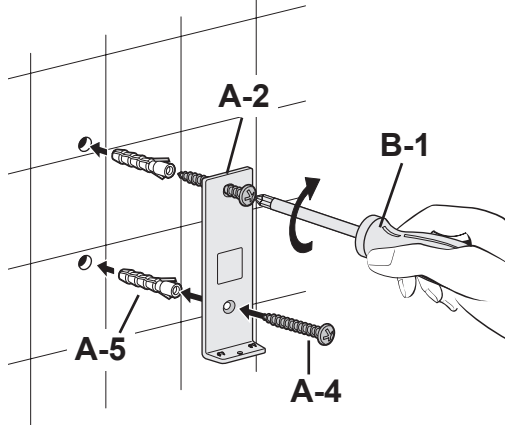


# 13

**A**

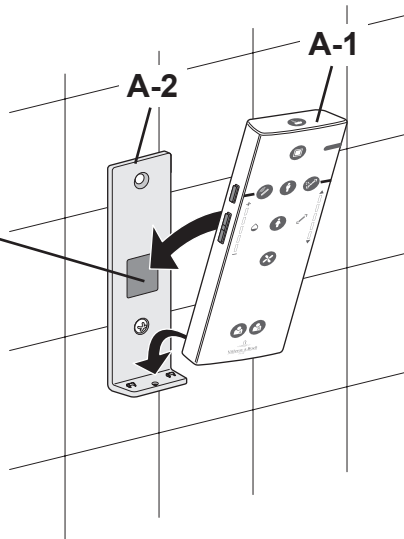


**B**



**C**

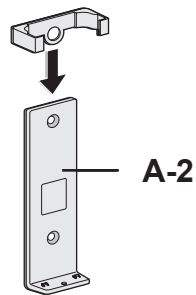
Anchored by magnet.



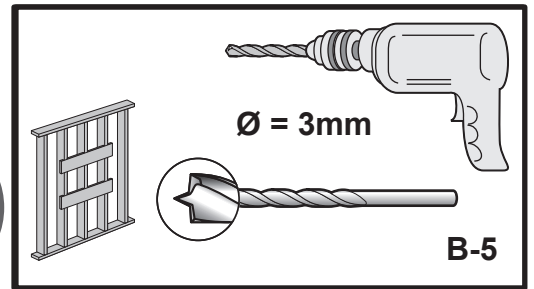
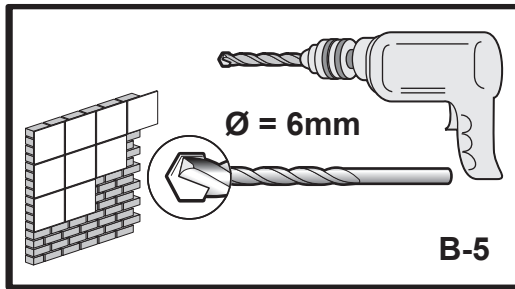
# Anti-theft protection for the remote control

13

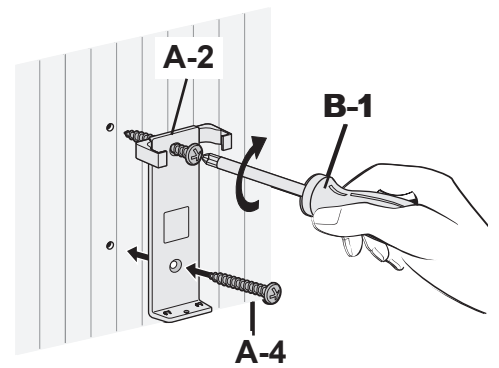
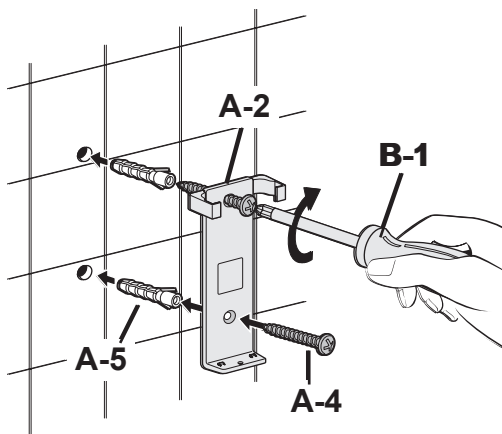
A



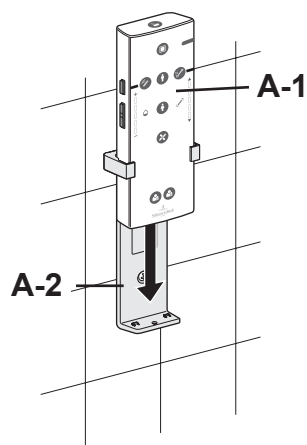
B



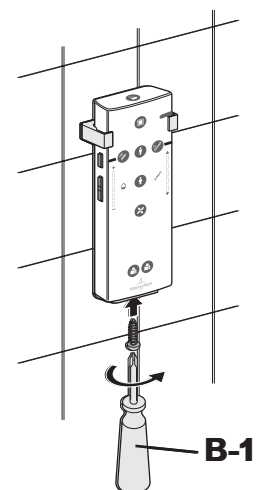
C



D



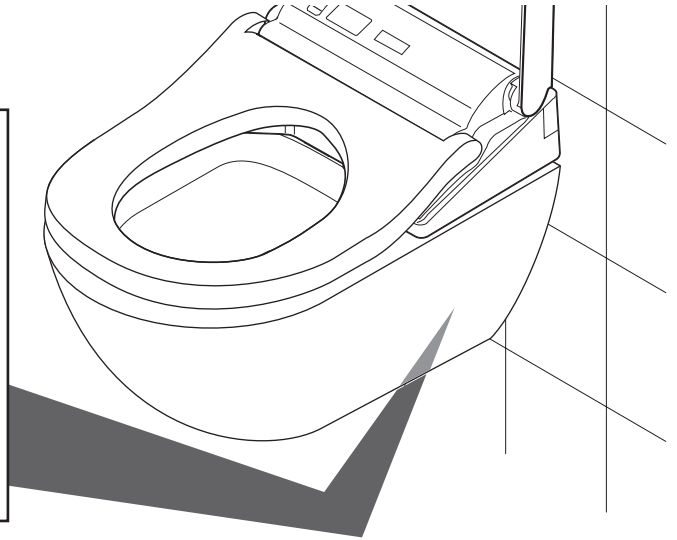
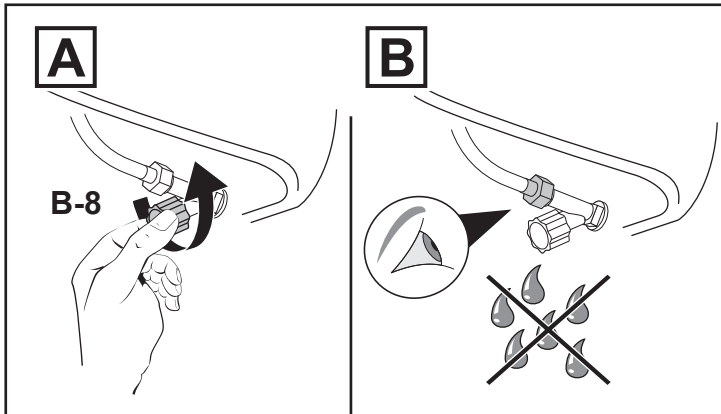
E



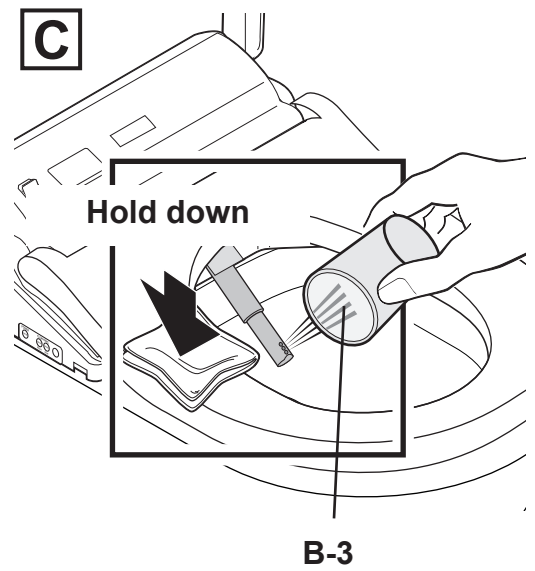
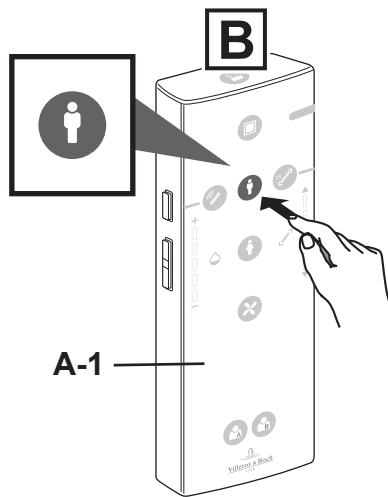
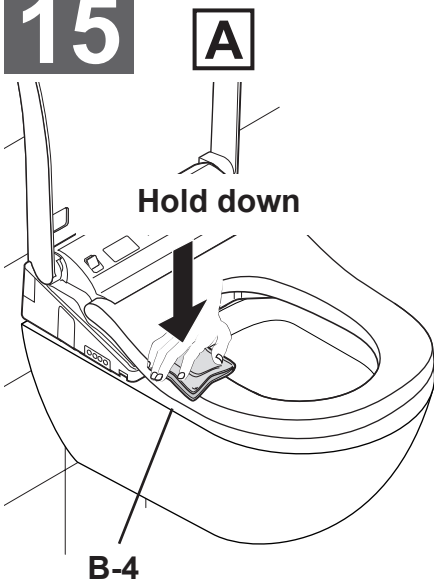
# Trial run

## 14

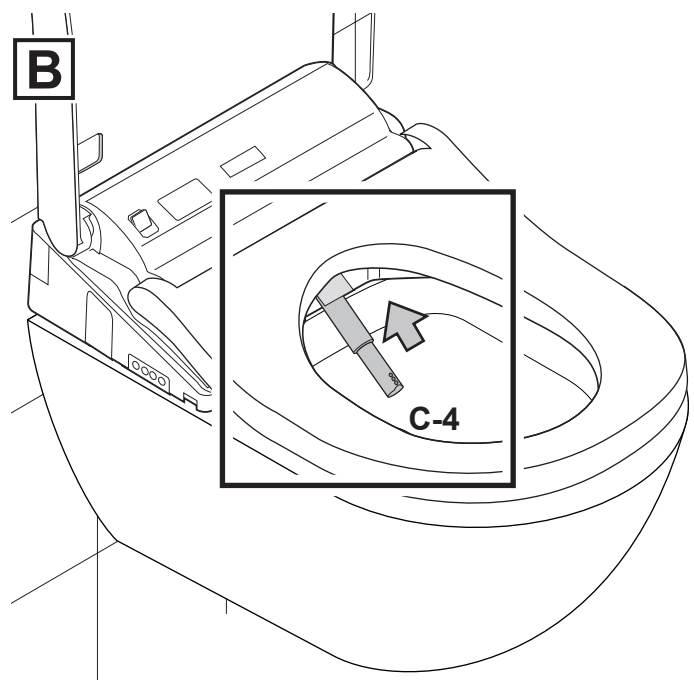
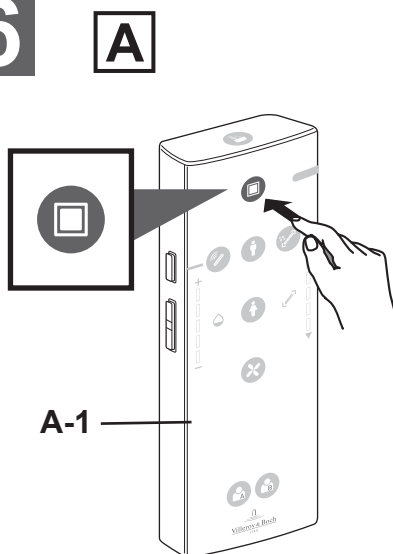
Open the water shutoff valve (B-8).



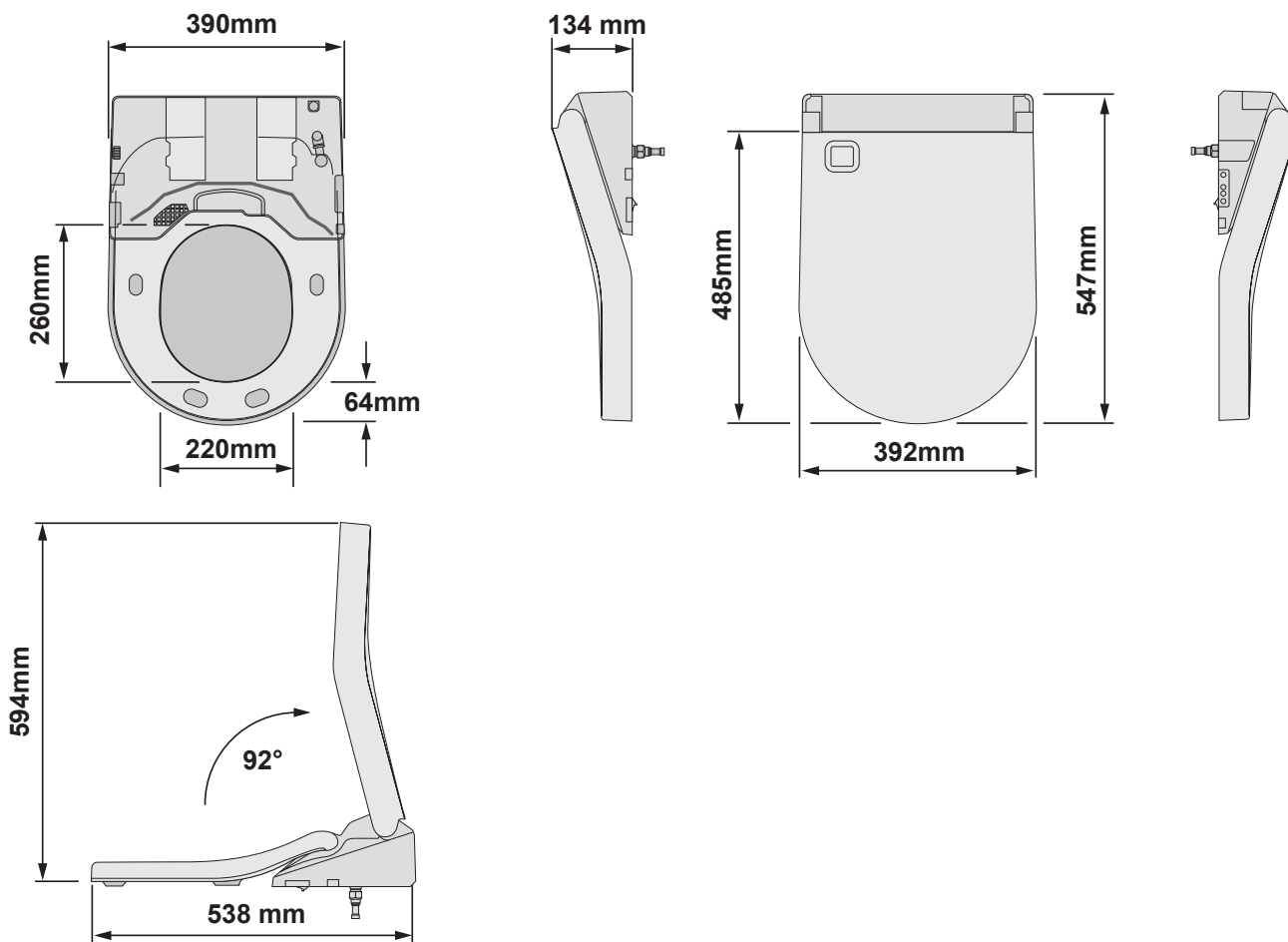
## 15



## 16

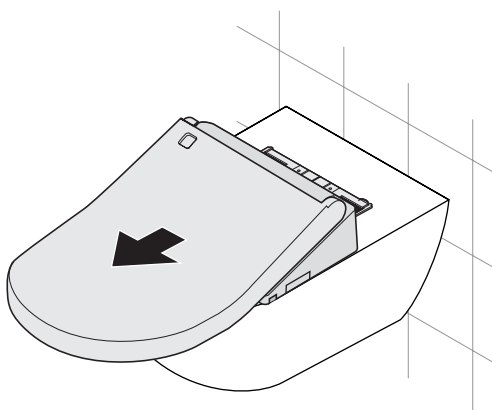


# Dimensions



## Information for the installer

- Please explain the features and operation of VICLEAN<sup>™</sup> to the customer.
- If the product will not be used for a long time (for example, when it is installed in an unoccupied, newly constructed building), switch the circuit breaker in the fuse box to OFF.



For information on “How to dismantle the main unit”, please refer to the separate sheet.

# VILLEROY & BOCH

## GERMANY

*Villeroy & Boch AG  
Bathroom and Wellness Division  
Headquarter  
D - 66693 Mettlach*

**EN**

01-2015

Colours and dimensions are subject to commonly accepted tolerances. Subject to technical changes and colour modifications.